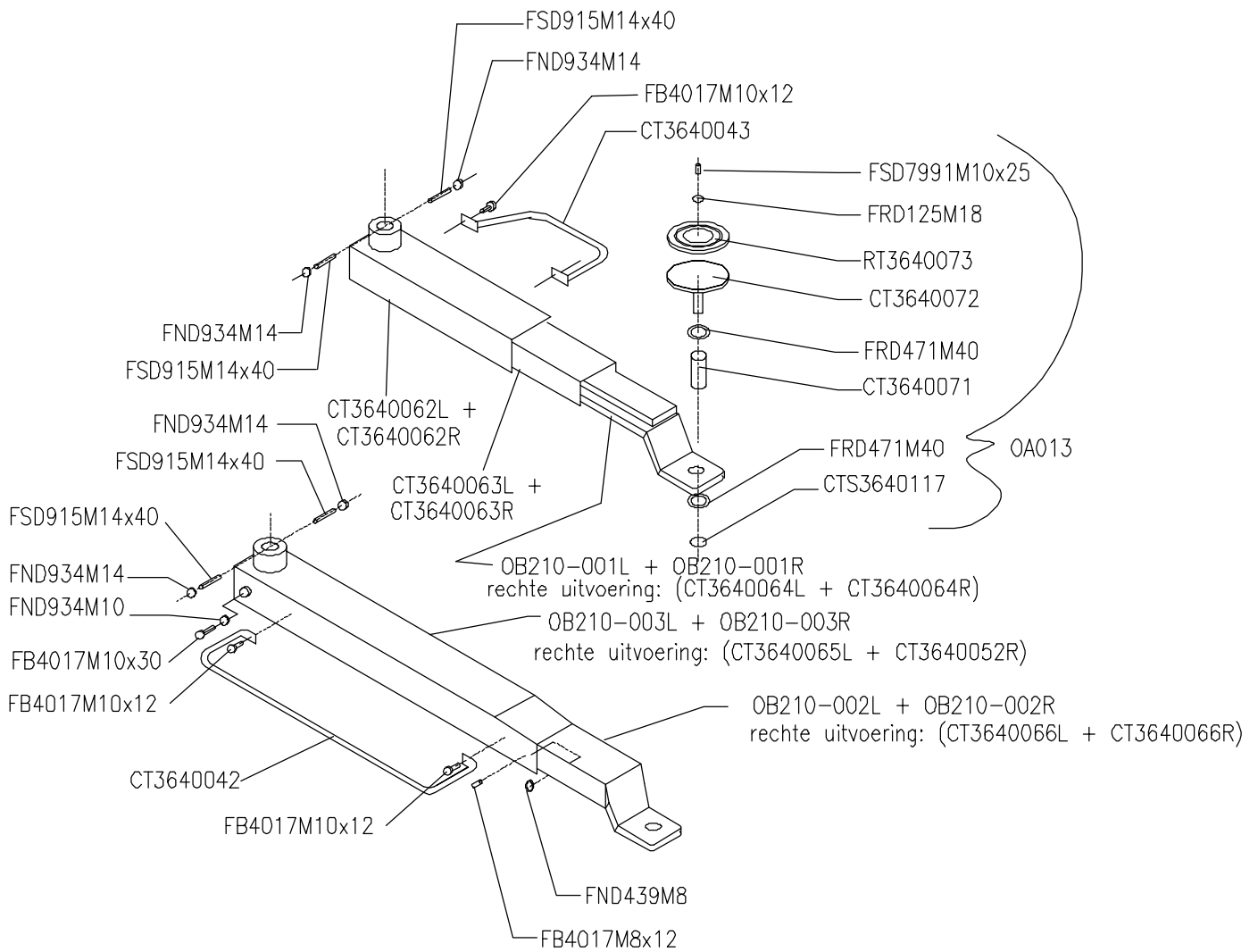
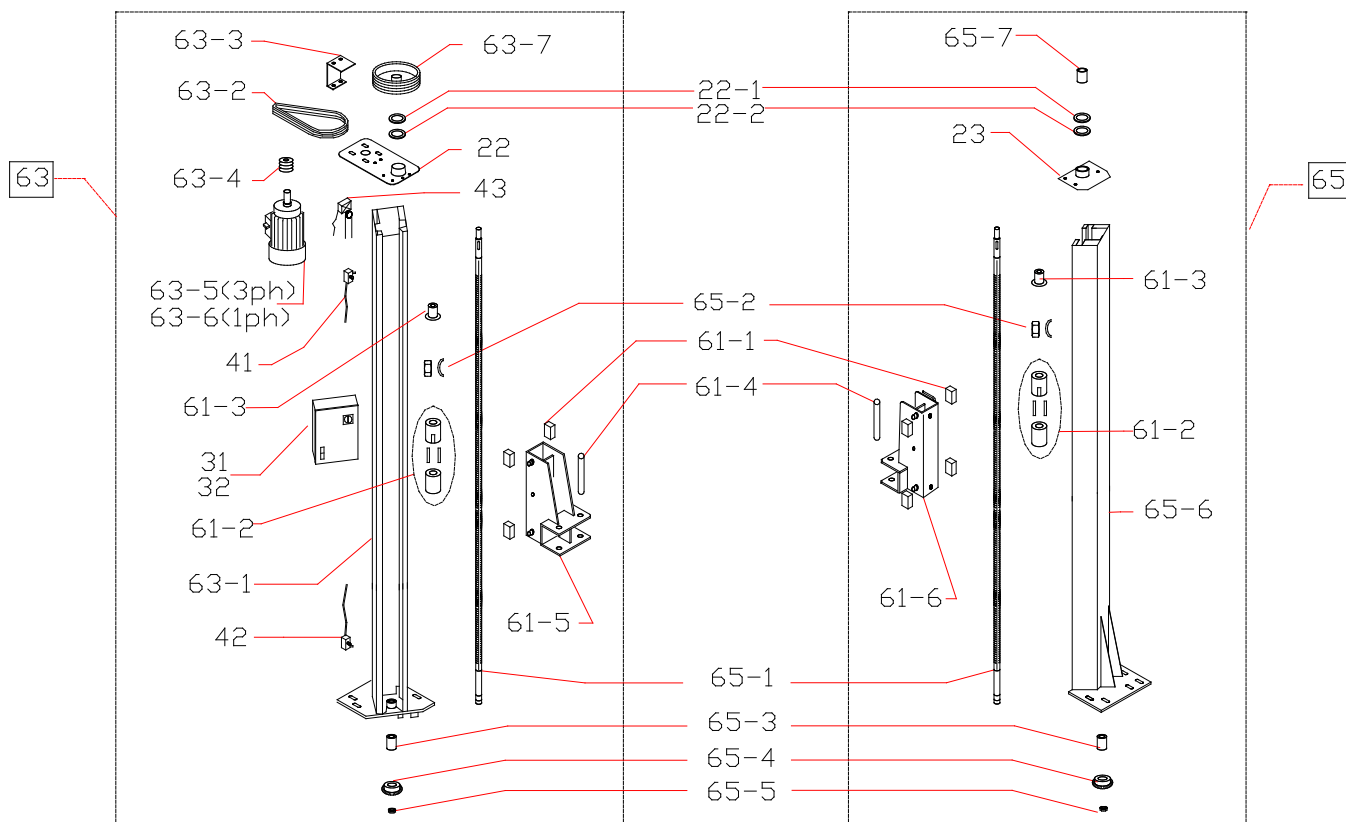


POS	OLD NUMBER ALT NUMBER OUD NUMMER	ORDER NUMBER BESTELL.NUM. BESTELNUMMER	DESCRIPTION	BESCHREIBUNG	OMSCHRIJVING
11	25240228	P/25240228	ARM LOCK DEVICE COMPLETE	ARMBLOCKIERSATZ KOMPLETT	ARMBLOKKEERSET COMPLEET
13	25240237	P/25240237	LONG DISK ASSEMBLY COMPLETE	SCHEIBENSYSTEEM KOMPLETT	OPNAMERUBBERSET COMPLEET
13-1	25240240	RT3640073	RUBBER PAD	GUMMITRAGER	DRAAGRUBBER
14	25240299	P/25240299	CHAINSWITCH	KETTENSCHALTER	KETTINGSCHAKELAAR
15	2524/A	P/2524/A	FASTENING MATERIAL BOX	BEFESTIGUNGSMATERIAAL	BEVESTIGINGSMATERIAAL DOOS
15-1	25240158	RT3640049	CHAIN GUIDE	KETTENFUHRUNG	KETTINGGELEIDER
15-2	25240247	P/25240247	STEEL CABLE	STAHLKABEL	STAALKABEL
17	25240154	P/25240154	CHAIN	KETTE	KETTING
20-1	25240250A/B	P/25240250	RIGHT LONG ARM 2-parts(2524)	LANGER TRAGER RECHTS 2-teilig(2524)	RECHTERARM LANG 2-delig (2524)
20-2	25240249A/B/C	P/25240249	RIGHT SHORT ARM 3-parts(2524)	KURZER TRAGER RECHTS 3-teilig(2524)	RECHTERARM KORT 3-delig (2524)
20-3	25240235A/B/C	P/25240235	LEFT SHORT ARM 3-parts(2524)	KURZER TRAGER LINKS 3-teilig(2524)	LINKERARM KORT 3-delig (2524)
20-4	25240236A/B	P/25240236	LEFT LONG ARM 2-parts(2524)	LANGER TRAGER LINKS 2-teilig(2524)	LINKERARM LANG 2-delig (2524)
21-1	30240250A/B	P/30280217	RIGHT LONG ARM 2-parts(3024)	LANGER TRAGER RECHTS 2-teilig(3024)	RECHTERARM LANG 2-delig (3024)
21-2	3024 0249A/B/C	P/30280216	RIGHT SHORT ARM 3-parts(3024)	KURZER TRAGER RECHTS 3-teilig(3024)	RECHTERARM KORT 3-delig (3024)
21-3	30240235A/B/C	P/30280215	LEFT SHORT ARM 3-parts(3024)	KURZER TRAGER LINKS 3-teilig(3024)	LINKERARM KORT 3-delig (3024)
21-4	30240236A/B	P/30280218	LEFT LONG ARM 2-parts(3024)	LANGER TRAGER LINKS 2-teilig(3024)	LINKERARM LANG 2-delig (3024)
63	25240143	P/25240143	MOTOR P. ASSEMBLY COMPL.(3-Ph)	MOTORSAULE KOMPLETT(3-Ph)	MOTORKOLOM COMPLEET(3-Ph)
64	25240143/1	P/25240143/1	MOTOR P. ASSEMBLY COMPL.(1-pH)	MOTORSAULE KOMPLETT(1-Ph)	MOTORKOLOM COMPLEET(1-Ph)
65	25240153	P/25240153	FREE POST ASSEMBLY COMPL.	SERVICE SAULE KOMPLETT	SERVICEKOLOM COMPLEET
71-1	25240135	CT3640025	POST CASING	ABDECKPLATTE SAULEN	AFDEKPLAAT KOLOMMEN
71-2	25240103	CT3640023	PULLEY CASING MOTORPOST	ABDECKKAPPE MOTORS AULE	AFDEKKAP MOTORKOLOM
71-3	25240144	CT3640024	PULLEY CASING FREE POST	ABDECKKAPPE SERVICE SAULE	AFDEKKAP SERVICEKOLOM
71-4	25240234	CT 3640043	SHORT ARM FOOT GUARD	FUSSSCHUTZ KURZER ARM	VOETBEV. KORTE ARM
71-5	25240223	CT 3640042	LONG ARM FOOT GUARD	FUSSSCHUTZ LANGER ARM	VOETBEV. LANGE ARM
71-6	25240167/L	CT3640022L	BASE LEFT	RAHMEN LINKS	GRONDFRAME LINKS
71-7	25240167/M	CT3640022C	BASE MIDDLE	RAHMEN MITTE	GRONDFRAME MIDDEN
71-8	25240167/R	CT3640022R	BASE RIGHT	RAHMEN RECHTS	GRONDFRAME RECHTS
71-9	25240164	CT3640030	RIGHT PLATFORM	ABDECKPLATTE RAHMEN LINKS	AFDEKPLAAT RECHTS
71-10	25240165	CT3640029	LEFT PLATFORM	ABDECKPLATTE RAHMEN RECHTS	AFDEKPLAAT LINKS
71-11	25240163	FP80x50x4	BASE CLOSING PLUG	UNTERER RAHMENSTOPFEN	RUBBERDOP FRAME

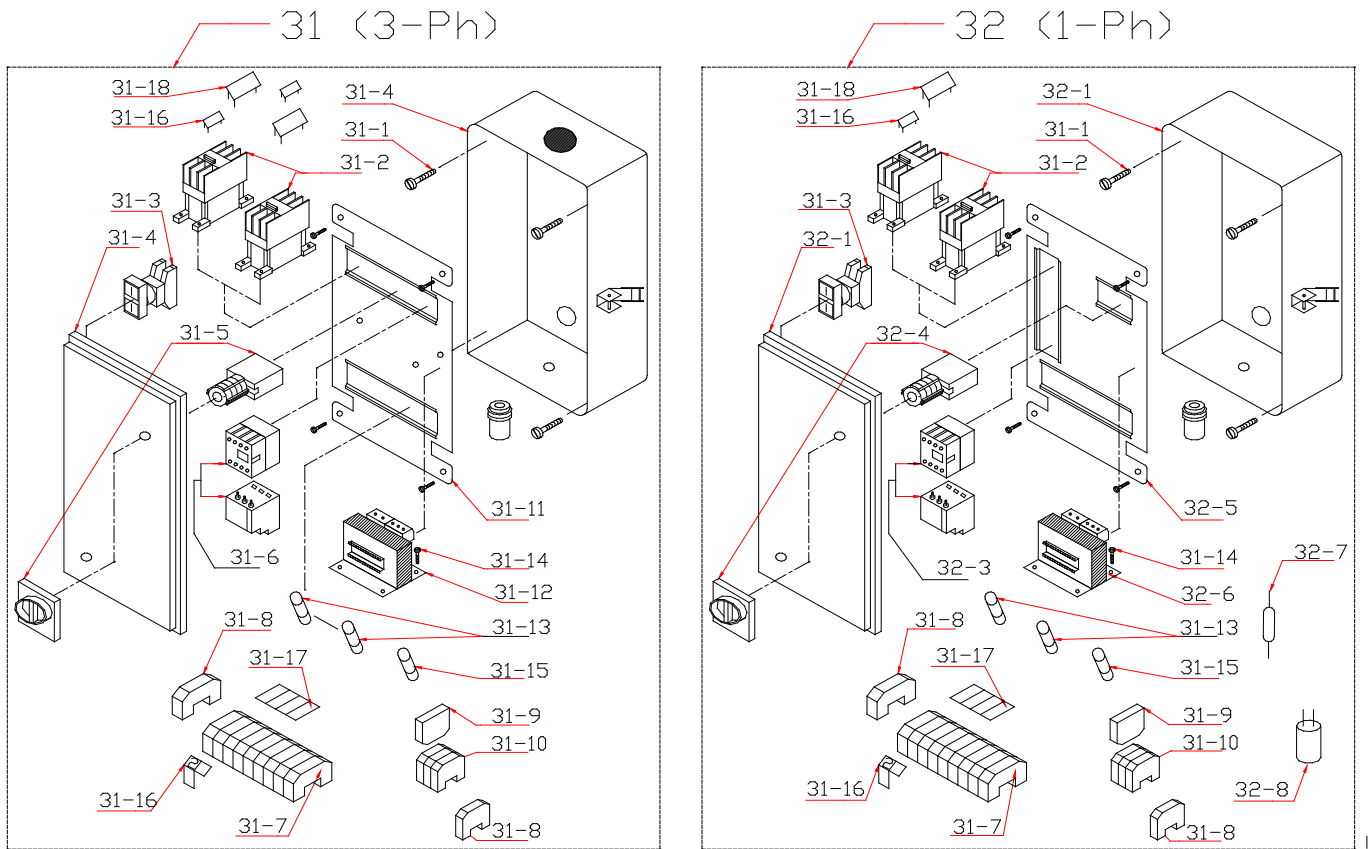


C				DRAW:
B				
A				DATE: 6-10-2003
REV	DATE	DESCRIPTION	BY	
AMERICAN PROJECTION				OBJECT: ARM PARTS ALM-3024A ARM PARTS ALM-3024A ARM ONDERDELEN ALM-30424A MATERIAL: - COLOR:
AUTec Vehicle lifts Hebebühnen Hefbruggen		DRAWER: GERCO BERKELAAR	CHECKED BY + DATE:	SCALE:

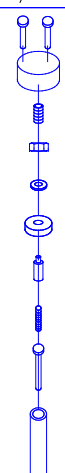
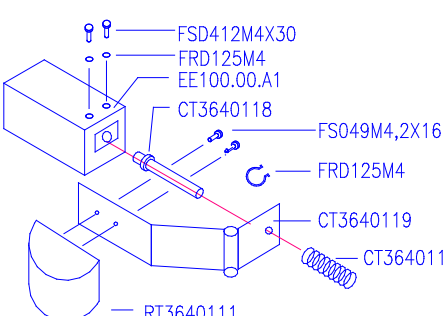
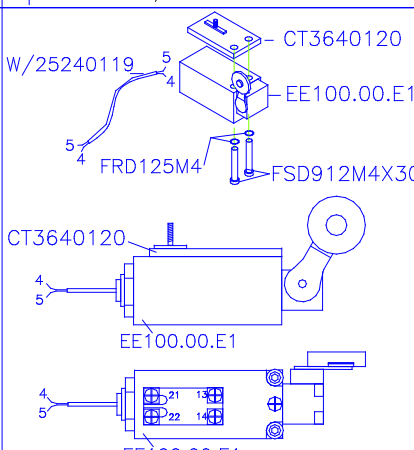
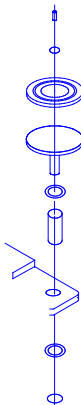
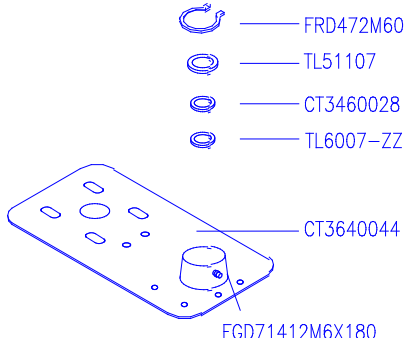
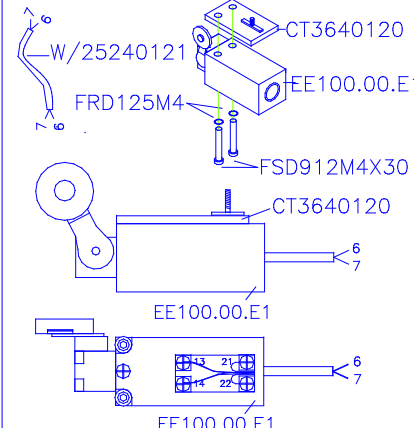
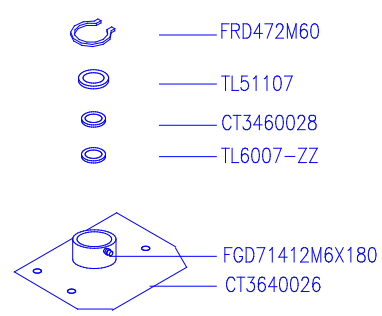
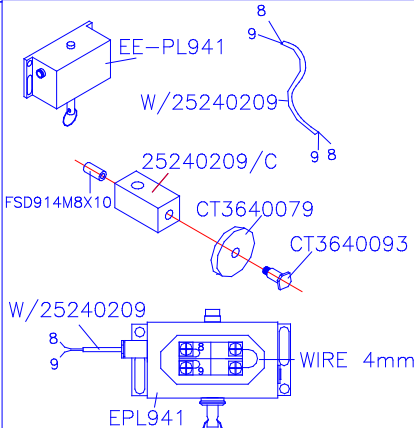
This drawing is AUTEC's exclusive ownership which forbids the diffusion, the reproduction and the transfer to third party.



POS	OLD NUMBER ALT NUMMER OUD NUMMER	ORDER NUMBER BESTELL.NUM. BESTELNUMMER	DESCRIPTION	BESCHREIBUNG	OMSCHRIJVING
22	25240110	P/25240110	TOP PLATE COMPLETE	DECKELPLATTE MOTORSAAULE KOMPL	TOPPLAAT MOT.KOLOM COMPL
22-1	25240109	TL6007-ZZ	BEARING	ROLLLAGER	ROLLENLAGER
22-2	25240108	TL51107	BEARING	DRUCKLAGER	DRUKLAGER
23	25240148	P/25240148	PLATE ASSEMBLY FREE	TOPPLAAT SERVICEAAULE	TOPPLAAT SERVICEKOLOM
41	25240119	P/25240119	ASCENT LIMIT SWITCH	ENSCHALTER	EINDSCHAKELAAR BOVEN
42	25240121	P/25240121	DESCENT LIMIT SWITCH	ENSCHALTER (UNTEN)	EINDSCHAKELAAR ONDER
43	25240209	P/25240209	SAFETY MICRO SWITCH	SICHERHEITSSCHALTER	VEILIGHEIDSSCHAKELAAR
61-1	25240212	PT3640060	SLIDE SHOE	FUHRUNGSBLOK	GELEIDEBLOK
61-2	25240215/7CE	P/25240215/7CE	BEARING SAFETY NUT COMPL	LAGER SICHERHEITSMUTTER KOMPL	DRAAG-VEILIGH.MOER COMPL
61-3	25240214	PT3640046	LEAD SCREW BUSH	FUHRUNGSBUCHSE	GELEIDEBUS
61-4	25240219	RT3640047	CARRIAGE BUMPER	TÜRSCHUTZ	DEURBESCHERMER
61-5	25240210	CT3640021/MP	MOTORPOST CARRIAGE	HEBET. MOTORSCHAULE	HEFTAFEL MOTORKOLOM
61-6	25240248	CT3640021/FP	FREE POST CARRIAGE	HEBETISCH SERVICEAAULE	HEFTAFEL SERVICEKOLOM
63-1	25240136	CT3640004	MOTOR POST	MOTOR SAULE	MOTORKOLOM
63-2	25240206	V-RIEM-A43	V-BELT A43	KEILRIEMEN	V-RIEM
63-3	25240104	CT 3640032	PULLEY COVER SUPPORT	STUTZE FÜR ABDECKKAPPE	STEUN AFDEKKAP
63-4	25240111	CT3640040	MOTOR PULLEY	MOTORRIEMENSCHIBE	MOTOR POELIE
63-5	25240112	P/25240112	MOTOR 3,5 KW 3-Ph	MOTOR 3,5 KW 3-Ph	MOTOR 3,5 KW 3-Ph
63-6	25240113	P/25240113	MOTOR 3,5 KW 1-Ph	MOTOR 3,5 KW 1-Ph	MOTOR 3,5 KW 1-Ph
63-7	25240207	PT3640041	PULLEY	RIEMENSCHIBE	POELIE
65-1	25240218/N	CT3640001	BEARING SCREW	SPINDEL	SPINDEL
65-2	25240215/MOD	P/25240215MOD	MOD. SET SAFETY NUT	MOD.SET SICHERHEITSMUTTER	MODIFICATIE SET DRAAGMOER
65-3	25240126	PT3640053	SCREW GUIDE BUSH	FUHRUNGSBUCHSE NYLON	NYLON GELEIDE BUS
65-4	25240129	CT3640050	CHAIN PINION	ZAHNRADKETTE	KETTING TAND WIEL
65-5	25240130	FND985M24	SELF LOCKING NUT	SICHERUNGSMUTTER	BORGMOER
65-6	25240149	CT3640088	FREE POST	SERVICE SAULEN	SERVICEKOLOM
65-7	25240145	CT3640037	FREE POST SHIM SCREW	PASSSCHRAUBE SERVICEAAULE	AFSTELBUS SERVICEKOLOM



POS	OLD NUMBER ALT NUMBER OUD NUMMER	ORDER NUMBER BESTELL.NUM. BESTELNUMMER	DESCRIPTION	BESCHREIBUNG	OMSCHRIJVING
31	25240115	P/25240115	ELECTRIC BOX 3Ph COMPL.	ELEKTR. SCHALTKASTEN 3-Ph COMPL.	ELEK.SCHAKELK. 3-Ph COMPL.
31-1	25240114	FSD84M6X10	SCREW	BOLZEN	BOUT
31-2	EC09KJ01-24VA	CONTRACTOR	MAGNETSCHALTER	MAGNEETSCHAKELAAR
31-3	25240302	EDM3N76991010	TWIN PUSH BUTTON	BED SCHALTER	BED.SCHAKELAAR
31-4	25240303	KE200X250X125	ELECTR.BOX EMPTY	ELECTR.KASTEN LEER	ELECTR.KAST LEEG
31-5	25240304	ELA-16-1753	MASTER SWITCH	HAUPTSCHALTER	HOOFDSCHAKELAAR
31-6	EA4F-12A	THERMAL RELAY 6-9A	THERM. RELAIS 6-9A	THERM. RELAIS 6-9A
31-7	25240307	EVU4-4	TERMINAL	ANSCHLUßBLOCK	AANSLUITBLOK
31-8	25240308	EVUPE4-4	TERMINAL EARTH	ANSLUßBLOCK ERDE	AANSLUITBLOK AARDE
31-9	25240310/1	EVS4SI	FUSE HOLDER	SICHERUNGSHALTER	ZEKERINGHOUDER
31-10	25240310/2	EVUST44	FUSE HOLDER/TERMINAL	ANSCHLUSS SICH. HALTER	AANS.BLOK.ZEKERING HOUDER
31-11	25240313	CT36400114	PLATE ELECTRIC BOX	MONTAGEPLATTE	MONTAGEPLAAT
31-12	25240314	EF30VA	TRANSFORMER	TRANSFORMATOR	TRANSFORMATOR
31-13	25240315	EFG20X5/2AS	FUSE 2A	SICHERUNG 2A	ZEKERING 2A
31-14	25240316	FSD84M4X10	SCREW	SCHRAUBE	SCHROEF
31-15	25240318	EFG20X5/0,15	FUSE 1,25 A	SICHERUNG 1,25A	ZEKERING 1,25 A
31-16	25240319	EST-CODE 0-9	IDENT.CHARACTER	BUCHSTABENAUFDRUCK	OPDRUKCIJFER/LETTER
31-17	25240320	EST-CODE LIVE	WARNING "LIVE"	WARNUNG "LIVE"	WAARNSCHUWING "LIVE"
31-18	25240321	ESCP	BASE IND.CHARACTERS	GRUNDPLAT BUCHSTABEN COD	BASISPL. OPDRUKCIJFERS/LET
32	25240116	P/25240116	ELECTRIC BOX 1-Ph	ELEKTR. SCHALTKASTEN 1-Ph	ELEK.SCHAKELKAST 1-Ph
32-1	25240401	ELECTR.BOX EMPTY	ELECTR.KASTEN LEER	ELECTR.KAST LEEG
32-2	25240402	ECA30124V50	CONTRACTOR	MAGNETSCHALTER	MAGNEETSCHAKELAAR
32-3	25240403	ECT3-23-23A	THERMAL RELAY	THERM. RELAIS	THERM. RELAIS
32-4	25240404	ELAZ-20-1752	MASTER SWITCH	HAUPTSCHALTER	HOOFDSCHAKELAAR
32-5	25240405	CT3640128	PLATE FOR ELECTR. BOX	MONTAGEPLATTE	MONTAGEPLAAT
32-6	25240406	EF50VA	TRANSFORMER	TRANSFORMATOR	TRANSFORMATOR
32-7					VERMOGENSRELAIS
32-8					CONDENSATOR

<p>11 P/25240228</p>  <ul style="list-style-type: none"> — FSD912M8X40 — CT3640069 — CTS3640051 — FND934M8 — FRD9021M8 — CT3640074 — CT3640075 — CTS3640052 — CT3640070 — CT3640067 	<p>14 P/25240299</p>  <ul style="list-style-type: none"> — FSD412M4X30 — FRD125M4 — EE100.00.A1 — CT3640118 — FS049M4,2X16 — FRD125M4 — CT3640119 — CT3640115 — RT3640111 	<p>41 P/25240119</p>  <ul style="list-style-type: none"> — CT3640120 — W/25240119 — EE100.00.E1 — FRD125M4 — FSD912M4X30 — CT3640120 — EE100.00.E1 — EE100.00.E1 																																																																								
<p>13 P/25240237</p>  <ul style="list-style-type: none"> — FSD7991M10x25 — FRD125M18 — RT3640073 — CT3640072 — FRD471M40 — CT3640071 — FRD471M40 — CTS3640117 	<p>22 P/25240110</p>  <ul style="list-style-type: none"> — FRD472M60 — TL51107 — CT3460028 — TL6007-ZZ — CT3640044 — FGD71412M6X180 	<p>42 P/25240121</p>  <ul style="list-style-type: none"> — CT3640120 — W/25240121 — EE100.00.E1 — FRD125M4 — FSD912M4X30 — CT3640120 — EE100.00.E1 — EE100.00.E1 																																																																								
<p>15 P/2524/A</p> <table border="1"> <thead> <tr> <th>Item nr.</th> <th>Item name</th> <th>Quantity</th> </tr> </thead> <tbody> <tr><td>FB4017M10X12</td><td>hexagon screw M10x12</td><td>8</td></tr> <tr><td>FB4017M10X25</td><td>hexagon screw M10x25</td><td>10</td></tr> <tr><td>FB4017M10X80</td><td>hexagon screw M10x80</td><td>2</td></tr> <tr><td>FB4017M16X40</td><td>hexagon screw M16x40</td><td>12</td></tr> <tr><td>FB4017M6X10</td><td>hexagon screw M6x10</td><td>4</td></tr> <tr><td>FB4017M8X12</td><td>hexagon screw M8x12</td><td>2</td></tr> <tr><td>FD16/6</td><td>adjusting screw 6mm</td><td>1</td></tr> <tr><td>FD38</td><td>cable clamp</td><td>2</td></tr> <tr><td>FND934M10</td><td>hexagon nut M10</td><td>4</td></tr> <tr><td>FND934M14</td><td>hexagon nut M14</td><td>8</td></tr> <tr><td>FND934M6</td><td>hexagon nut M6</td><td>5</td></tr> <tr><td>FRD125M10</td><td>plain washer M10</td><td>16</td></tr> <tr><td>FRD125M6</td><td>plain washer M6</td><td>4</td></tr> <tr><td>FRD125M8</td><td>plain washer M8</td><td>2</td></tr> <tr><td>FRD471M40</td><td>retaining ring M40</td><td>4</td></tr> <tr><td>FRD9021M16</td><td>plain washer M16</td><td>12</td></tr> <tr><td>FRD9021M6</td><td>plain washer M6</td><td>4</td></tr> <tr><td>FS4028M14X40</td><td>hexagon socket set screw M14x40</td><td>8</td></tr> <tr><td>FSD913M16X20</td><td>hexagon socket set screw M16x20</td><td>8</td></tr> <tr><td>FSD963M6X10</td><td>countersunk head screw M6x10</td><td>4</td></tr> <tr><td>P/25240247</td><td>steel cable 2mm</td><td>1</td></tr> <tr><td>RT3640049</td><td>chain guiding</td><td>2</td></tr> <tr><td>V/PZ-220/380</td><td>plastic bag 220x380</td><td>1</td></tr> </tbody> </table>	Item nr.	Item name	Quantity	FB4017M10X12	hexagon screw M10x12	8	FB4017M10X25	hexagon screw M10x25	10	FB4017M10X80	hexagon screw M10x80	2	FB4017M16X40	hexagon screw M16x40	12	FB4017M6X10	hexagon screw M6x10	4	FB4017M8X12	hexagon screw M8x12	2	FD16/6	adjusting screw 6mm	1	FD38	cable clamp	2	FND934M10	hexagon nut M10	4	FND934M14	hexagon nut M14	8	FND934M6	hexagon nut M6	5	FRD125M10	plain washer M10	16	FRD125M6	plain washer M6	4	FRD125M8	plain washer M8	2	FRD471M40	retaining ring M40	4	FRD9021M16	plain washer M16	12	FRD9021M6	plain washer M6	4	FS4028M14X40	hexagon socket set screw M14x40	8	FSD913M16X20	hexagon socket set screw M16x20	8	FSD963M6X10	countersunk head screw M6x10	4	P/25240247	steel cable 2mm	1	RT3640049	chain guiding	2	V/PZ-220/380	plastic bag 220x380	1	<p>23 P/25240148</p>  <ul style="list-style-type: none"> — FRD472M60 — TL51107 — CT3460028 — TL6007-ZZ — FGD71412M6X180 — CT3640026 	<p>43 P/25240209</p>  <ul style="list-style-type: none"> — EE-PL941 — W/25240209 — 25240209/C — FSD914M8X10 — CT3640079 — CT3640093 — W/25240209 — WIRE 4mm — EPL941
Item nr.	Item name	Quantity																																																																								
FB4017M10X12	hexagon screw M10x12	8																																																																								
FB4017M10X25	hexagon screw M10x25	10																																																																								
FB4017M10X80	hexagon screw M10x80	2																																																																								
FB4017M16X40	hexagon screw M16x40	12																																																																								
FB4017M6X10	hexagon screw M6x10	4																																																																								
FB4017M8X12	hexagon screw M8x12	2																																																																								
FD16/6	adjusting screw 6mm	1																																																																								
FD38	cable clamp	2																																																																								
FND934M10	hexagon nut M10	4																																																																								
FND934M14	hexagon nut M14	8																																																																								
FND934M6	hexagon nut M6	5																																																																								
FRD125M10	plain washer M10	16																																																																								
FRD125M6	plain washer M6	4																																																																								
FRD125M8	plain washer M8	2																																																																								
FRD471M40	retaining ring M40	4																																																																								
FRD9021M16	plain washer M16	12																																																																								
FRD9021M6	plain washer M6	4																																																																								
FS4028M14X40	hexagon socket set screw M14x40	8																																																																								
FSD913M16X20	hexagon socket set screw M16x20	8																																																																								
FSD963M6X10	countersunk head screw M6x10	4																																																																								
P/25240247	steel cable 2mm	1																																																																								
RT3640049	chain guiding	2																																																																								
V/PZ-220/380	plastic bag 220x380	1																																																																								