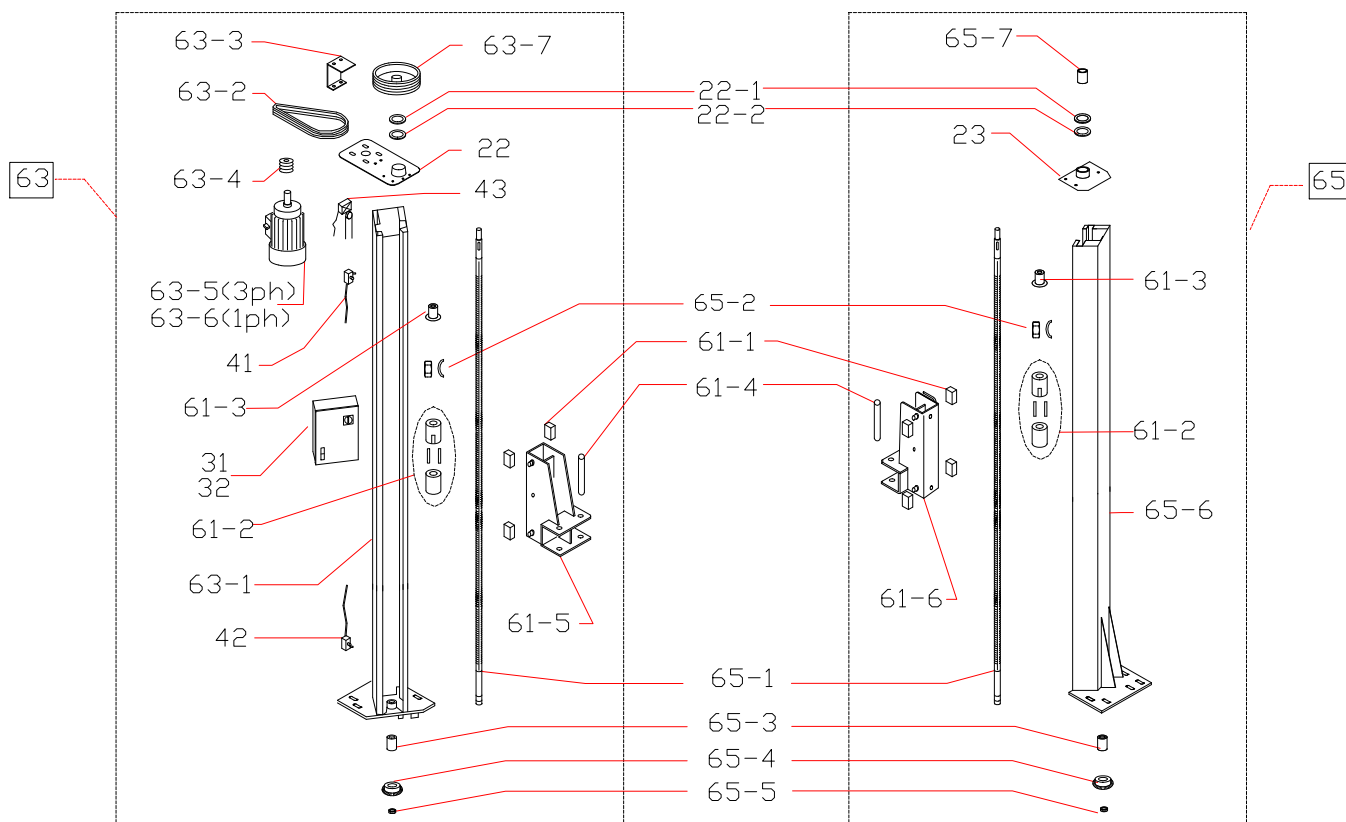
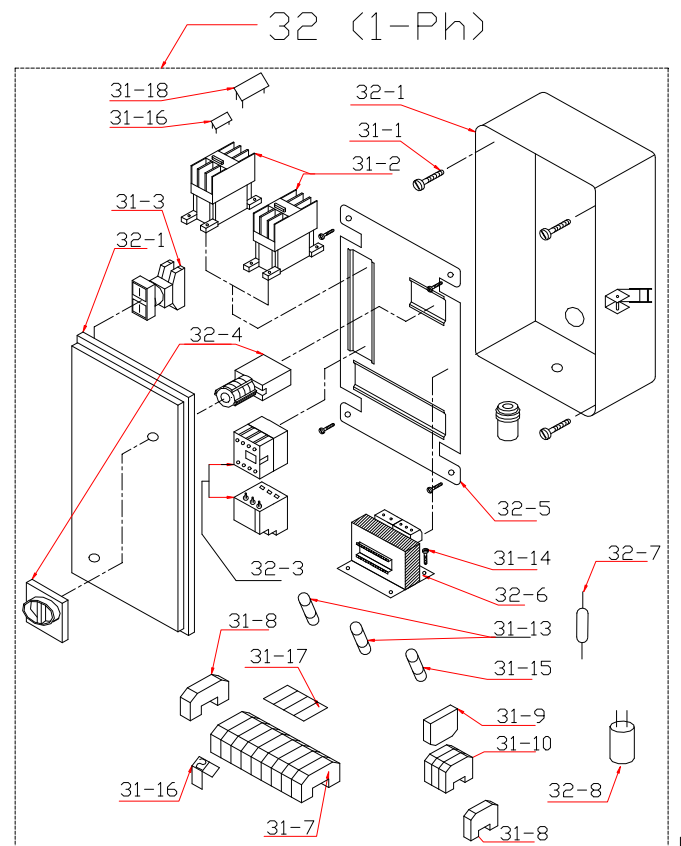
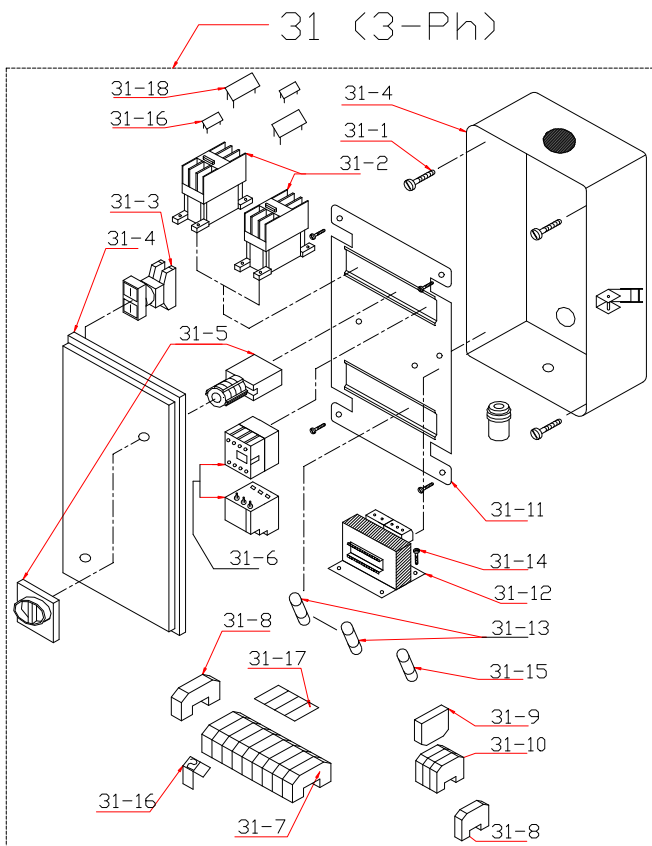


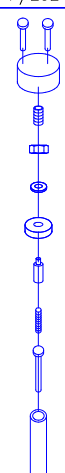
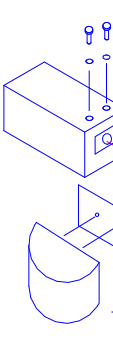

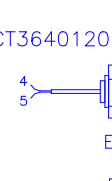

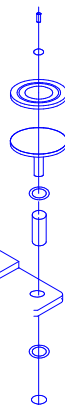

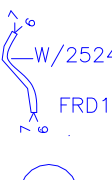
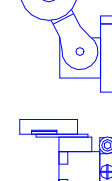


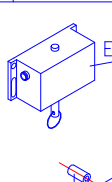
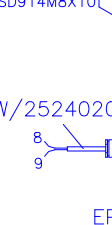
POS	OLD NUMBER ALT NUMBER OUD NUMMER	ORDER NUMBER BESTELL.NUM. BESTELNUMMER	DESCRIPTION	BESCHREIBUNG	OMSCHRIJVING
11	25240228	P/25240228	ARM LOCK DEVICE COMPLETE	ARMBLOCKIERSATZ KOMPLETT	ARMBLOKKEERSET COMPLEET
13	25240237	P/25240237	LONG DISK ASSEMBLY COMPLETE	SCHIEBENSYSTEEM KOMPLETT	OPNAMERUBBERSET COMPLEET
13-1	25240240	RT3640073	RUBBER PAD	GUMMITRAGER	DRAAGRUBBER
14	25240299	P/25240299	CHAINSWITCH	KETTENSCHALTER	KETTINGSCHAKELAAR
15	2524/A	P/2524/A	FASTENING MATERIAL BOX	BEFESTIGUNGSMATERIAAL	BEVESTIGINGSMATERIAAL DOOS
15-1	25240158	RT3640049	CHAIN GUIDE	KETTENFUHRUNG	KETTINGGELEIDER
15-2	25240247	P/25240247	STEEL CABLE	STAHLKABEL	STAALKABEL
17	25240154	P/25240154	CHAIN	KETTE	KETTING
20-1	25240250A/B	P/25240250	RIGHT LONG ARM 2-parts(2524)	LANGER TRAGER RECHTS 2-teilig(2524)	RECHTERARM LANG 2-delig (2524)
20-2	25240249A/B/C	P/25240249	RIGHT SHORT ARM 3-parts(2524)	KURZER TRAGER RECHTS 3-teilig(2524)	RECHTERARM KORT 3-delig (2524)
20-3	25240235A/B/C	P/25240235	LEFT SHORT ARM 3-parts(2524)	KURZER TRAGER LINKS 3-teilig(2524)	LINKERARM KORT 3-delig (2524)
20-4	25240236A/B	P/25240236	LEFT LONG ARM 2-parts(2524)	LANGER TRAGER LINKS 2-teilig(2524)	LINKERARM LANG 2-delig (2524)
21-1	30240250A/B	P/30280217	RIGHT LONG ARM 2-parts(3024)	LANGER TRAGER RECHTS 2-teilig(3024)	RECHTERARM LANG 2-delig (3024)
21-2	3024 0249A/B/C	P/30280216	RIGHT SHORT ARM 3-parts(3024)	KURZER TRAGER RECHTS 3-teilig(3024)	RECHTERARM KORT 3-delig (3024)
21-3	30240235A/B/C	P/30280215	LEFT SHORT ARM 3-parts(3024)	KURZER TRAGER LINKS 3-teilig(3024)	LINKERARM KORT 3-delig (3024)
21-4	30240236A/B	P/30280218	LEFT LONG ARM 2-parts(3024)	LANGER TRAGER LINKS 2-teilig(3024)	LINKERARM LANG 2-delig (3024)
63	25240143	P/25240143	MOTOR P. ASSEMBLY COMPL. (3-Ph)	MOTORSAULE KOMPLETT(3-Ph)	MOTORKOLOM COMPLEET(3-Ph)
64	25240143/1	P/25240143/1	MOTOR P. ASSEMBLY COMPL. (1-pH)	MOTORSAULE KOMPLETT(1-Ph)	MOTORKOLOM COMPLEET(1-Ph)
65	25240153	P/25240153	FREE POST ASSEMBLY COMPL. POST CASING	SERVICESAULE KOMPLETT ABDECKPLATTE SAULEN	SERVICEKOLOM COMPLEET AFDEKPLAAT KOLOMMEN
71-1	25240135	CT3640025	POST CASING	ABDECKPLATTE SAULEN	AFDEKPLAAT KOLOMMEN
71-2	25240103	CT3640023	PULLEY CASING MOTORPOST	ABDECKKAPPE MOTORSAULE	AFDEKKAP MOTORKOLOM
71-3	25240144	CT3640024	PULLEY CASING FREE POST	ABDECKKAPPE SERVICESAULE	AFDEKKAP SERVICEKOLOM
71-4	25240234	CT 3640043	SHORT ARM FOOT GUARD	FUSSSCHUTZ KURZER ARM	VOETBEV. KORTE ARM
71-5	25240223	CT 3640042	LONG ARM FOOT GUARD	FUSSSCHUTZ LANGER ARM	VOETBEV. LANGE ARM
71-6	25240167/L	CT3640022L	BASE LEFT	RAHMEN LINKS	GRONDFRAME LINKS
71-7	25240167/M	CT3640022C	BASE MIDDEL	RAHMEN MITTE	GRONDFRAME MIDDEN
71-8	25240167/R	CT3640022R	BASE RIGHT	RAHMEN RECHTS	GRONDFRAME RECHTS
71-9	25240164	CT3640030	RIGHT PLATFORM	ABDECKPLATTE RAHMEN LINKS	AFDEKPLAAT RECHTS
71-10	25240165	CT3640029	LEFT PLATFORM	ABDECKPLATTE RAHMEN RECHTS	AFDEKPLAAT LINKS
71-11	25240163	FP80x50x4	BASE CLOSING PLUG	UNTERER RAHMENSTOPFEN	RUBBERDOP FRAME



POS	OLD NUMBER ALT NUMBER OUD NUMMER	ORDER NUMBER BESTELL.NUM. BESTELNUMMER	DESCRIPTION	BESCHREIBUNG	OMSCHRIJVING
22	25240110	P/25240110	TOP PLATE COMPLETE	DECKELPLATTE MOTORSAAULE KOMPL	TOPPLAAT MOT.KOLOM COMPL
22-1	25240109	TL6007-ZZ	BEARING	ROLLLAGER	ROLLENLAGER
22-2	25240108	TL51107	BEARING	DRUCKLAGER	DRUKLAGER
23	25240148	P/25240148	PLATE ASSEMBLY FREE	TOPPLATTE SERVICESAAULE	TOPPLAAT SERVICEKOLOM
41	25240119	P/25240119	ASCENT LIMIT SWITCH	ENSCHALTER	EINDSCHAKELAAR BOVEN
42	25240121	P/25240121	DESCENT LIMIT SWITCH	ENSCHALTER (UNTEN)	EINDSCHAKELAAR ONDER
43	25240209	P/25240209	SAFETY MICRO SWITCH	SICHERHEITSSCHALTER	VEILIGHEIDSSCHAKELAAR
61-1	25240212	PT3640060	SLIDE SHOE	FUHRUNGSBLOK	GELEIDEBLOK
61-2	25240215/7CE	P25240215/7CE	BEARING SAFETY NUT COMPL	LAGER SICHERHEITSMUTTER KOMPL	DRAAG-VEILIGH.MOER KOMPL
61-3	25240214	PT3640046	LEAD SCREW BUSH	FUHRUNGSBUCHSE	GELEIDEBUS
61-4	25240219	RT3640047	CARRIAGE BUMPER	TÜRSCHUTZ	DEURBESCHERMER
61-5	25240210	CT3640021/MP	MOTORPOST CARRIAGE	HEBET. MOTORSCHAULE	HEFTAFEL MOTORKOLOM
61-6	25240248	CT3640021/FP	FREE POST CARRIAGE	HEBETISCH SERVICESAAULE	HEFTAFEL SERVICEKOLOM
63-1	25240136	CT3640004	MOTOR POST	MOTOR SAULE	MOTORKOLOM
63-2	25240206	V-RIEM-A43	V-BELT A43	KEILRIEMEN	V-RIEM
63-3	25240104	CT 3640032	PULLEY COVER SUPPORT	STUTZE FÜR ABDECKKAPPE	STEUN AFDEKKAP
63-4	25240111	CT3640040	MOTOR PULLEY	MOTORRIEMENSCHIEBE	MOTOR POELIE
63-5	25240112	P/25240112	MOTOR 3,5 KW 3-Ph	MOTOR 3,5 KW 3-Ph	MOTOR 3,5 KW 3-Ph
63-6	25240113	P/25240113	MOTOR 3,5 KW 1-Ph	MOTOR 3,5 KW 1-Ph	MOTOR 3,5 KW 1-Ph
63-7	25240207	PT3640041	PULLEY	RIEMENSCHIEBE	POELIE
65-1	25240218/N	CT3640001	BEARING SCREW	SPINDEL	SPINDEL
65-2	25240215/MOD	P/25240215MOD	MOD. SET SAFETY NUT	MOD.SET SICHERHEITSMUTTER	MODIFICATIE SET DRAAGMOER
65-3	25240126	PT3640053	SCREW GUIDE BUSH	FUHRUNGSBUCHSE NYLON	NYLON GELEIDE BUS
65-4	25240129	CT3640050	CHAIN PINION	ZAHNRADKETTE	KETTING TAND WIEL
65-5	25240130	FND985M24	SELF LOCKING NUT	SICHERUNGSMUTTER	BORGMOER
65-6	25240149	CT3640088	FREE POST	SERVICE SAULEN	SERVICEKOLOM
65-7	25240145	CT3640037	FREE POST SHIM SCREW	PASSCHRAUBE SERVICESAAULE	AFSTELBUS SERVICEKOLOM



POS	OLD NUMBER ALT NUMMER OUD NUMMER	ORDER NUMBER BESTELL.NUM. BESTELNUMMER	DESCRIPTION	BESCHREIBUNG	OMSCHRIJVING
31	25240115	P/25240115	ELECTRIC BOX 3Ph COMPL.	ELEKTR. SCHALKASTEN 3-Ph COMPL.	ELEK.SCHAKELK. 3-Ph COMPL.
31-1	25240114	FSD84M6X10	SCREW	BOLZEN	BOUT
31-2	EC09KJ01-24VA	CONTRACTOR	MAGNETSCHALTER	MAGNEETSCHAKELAAR
31-3	25240302	EDM3N76991010	TWIN PUSH BUTTON	BED SCHALTER	BED.SCHAKELAAR
31-4	25240303	KE200X250X125	ELECTR.BOX EMPTY	ELECTR.KASTEN LEER	ELECTR.KAST LEEG
31-5	25240304	ELA-16-1753	MASTER SWITCH	HAUPTSCHALTER	HOOFDSCHAKELAAR
31-6	EA4F-12A	THERMAL RELAY 6-9A	THERM. RELAIS 6-9A	THERM. RELAIS 6-9A
31-7	25240307	EVU4-4	TERMINAL	ANSCHLUBBLOCK	AANSLUITBLOK
31-8	25240308	EVUPE4-4	TERMINAL EARTH	ANSLUBBLOCK ERDE	AANSLUITBLOK AARDE
31-9	25240310/1	EVS4SI	FUSE HOLDER	SICHERUNGSHALTER	ZEKERINGHOUDER
31-10	25240310/2	EVUST44	FUSE HOLDER/TERMINAL	ANSCHLUSS SICH .HALTER	AANS.BLOK.ZEKERING HOUDER
31-11	25240313	CT36400114	PLATE ELECTRIC BOX	MONTAGEPLATTE	MONTAGEPLAAT
31-12	25240314	EF30VA	TRANSFORMER	TRANSFORMATOR	TRANSFORMATOR
31-13	25240315	EFG20X5/2AS	FUSE 2A	SICHERUNG 2A	ZEKERING 2A
31-14	25240316	FSD84M4X10	SCREW	SCHRAUBE	SCHROEF
31-15	25240318	EFG20X5/0,15	FUSE 1,25 A	SICHERUNG 1,25A	ZEKERING 1,25 A
31-16	25240319	EST-CODE 0-9	IDENT.CHARACTER	BUCHSTABENAUFDRUCK	OPDRUKCIJFER/LETTER
31-17	25240320	EST-CODE LIVE	WARNING "LIVE"	WARNUNG "LIVE"	WAARSCHUWING "LIVE"
31-18	25240321	ESCP	BASE IND.CHARACTERS	GRUNDPLAT BUCHSTABEN COD	BASISPL. OPDRUKCIJFERS/LET
32	25240116	P/25240116	ELECTRIC BOX 1-Ph	ELEKTR. SCHALKASTEN 1-Ph	ELEK.SCHAKELKAST 1-Ph
32-1	25240401	ELECTR.BOX EMPTY	ELECTR.KASTEN LEER	ELECTR.KAST LEEG
32-2	25240402	ECA30124V50	CONTRACTOR	MAGNETSCHALTER	MAGNEETSCHAKELAAR
32-3	25240403	ECT3-23-23A	THERMAL RELAY	THERM. RELAIS	THERM. RELAIS
32-4	25240404	ELAZ-20-1752	MASTER SWITCH	HAUPTSCHALTER	HOOFDSCHAKELAAR
32-5	25240405	CT3640128	PLATE FOR ELECTR. BOX	MONTAGEPLATTE	MONTAGEPLAAT
32-6	25240406	EF50VA	TRANSFORMER	TRANSFORMATOR	TRANSFORMATOR
32-7					VERMOGENSRELAIS
32-8					CONDENSATOR

<p>11 P/25240228</p>  <ul style="list-style-type: none"> — FSD912M8X40 — CT3640069 — CTS3640051 — FND934M8 — FRD9021M8 — CT3640074 — CT3640075 — CTS3640052 — CT3640070 — CT3640067 	<p>14 P/25240299</p>  <ul style="list-style-type: none"> — FSD412M4X30 — FRD125M4 — EE100.00.A1 — CT3640118 — FS049M4,2X16 — FRD125M4 — CT3640119 — CT3640115 — RT3640111 	<p>41 P/25240119</p>  <ul style="list-style-type: none"> — CT3640120 — EE100.00.E1 — W/25240119 — FRD125M4 — FSD912M4X30  <ul style="list-style-type: none"> — CT3640120 — EE100.00.E1 — W/25240119  <ul style="list-style-type: none"> — EE100.00.E1 																																																																								
<p>13 P/25240237</p>  <ul style="list-style-type: none"> — FSD7991M10x25 — FRD125M18 — RT3640073 — CT3640072 — FRD471M40 — CT3640071 — FRD471M40 — CTS3640117 	<p>22 P/25240110</p>  <ul style="list-style-type: none"> — FRD472M60 — TL51107 — CT3460028 — TL6007-ZZ — CT3640044 — FGD71412M6X180 	<p>42 P/25240121</p>  <ul style="list-style-type: none"> — CT3640120 — EE100.00.E1 — W/25240121 — FRD125M4 — FSD912M4X30  <ul style="list-style-type: none"> — CT3640120 — EE100.00.E1 — W/25240121  <ul style="list-style-type: none"> — EE100.00.E1 																																																																								
<p>15 P/2524/A</p> <table border="1"> <thead> <tr> <th>Item nr.</th> <th>Item name</th> <th>Quantity</th> </tr> </thead> <tbody> <tr><td>FB4017M10X12</td><td>hexagon screw M10x12</td><td>8</td></tr> <tr><td>FB4017M10X25</td><td>hexagon screw M10x25</td><td>10</td></tr> <tr><td>FB4017M10X80</td><td>hexagon screw M10x80</td><td>2</td></tr> <tr><td>FB4017M16X40</td><td>hexagon screw M16x40</td><td>12</td></tr> <tr><td>FB4017M6X10</td><td>hexagon screw M6x10</td><td>4</td></tr> <tr><td>FB4017M8X12</td><td>hexagon screw M8x12</td><td>2</td></tr> <tr><td>FD16/6</td><td>adjusting screw 6mm</td><td>1</td></tr> <tr><td>FD38</td><td>cable clamp</td><td>2</td></tr> <tr><td>FND934M10</td><td>hexagon nut M10</td><td>4</td></tr> <tr><td>FND934M14</td><td>hexagon nut M14</td><td>8</td></tr> <tr><td>FND934M6</td><td>hexagon nut M6</td><td>5</td></tr> <tr><td>FRD125M10</td><td>plain washer M10</td><td>16</td></tr> <tr><td>FRD125M6</td><td>plain washer M6</td><td>4</td></tr> <tr><td>FRD125M8</td><td>plain washer M8</td><td>2</td></tr> <tr><td>FRD471M40</td><td>retaining ring M40</td><td>4</td></tr> <tr><td>FRD9021M16</td><td>plain washer M16</td><td>12</td></tr> <tr><td>FRD9021M6</td><td>plain washer M6</td><td>4</td></tr> <tr><td>FS4028M14X40</td><td>hexagon socket set screw M14x40</td><td>8</td></tr> <tr><td>FSD913M16X20</td><td>hexagon socket set screw M16x20</td><td>8</td></tr> <tr><td>FSD963M6X10</td><td>countersunk head screw M6x10</td><td>4</td></tr> <tr><td>P/25240247</td><td>steel cable 2mm</td><td>1</td></tr> <tr><td>RT3640049</td><td>chain guiding</td><td>2</td></tr> <tr><td>V/PZ-220/380</td><td>plastic bag 220x380</td><td>1</td></tr> </tbody> </table>	Item nr.	Item name	Quantity	FB4017M10X12	hexagon screw M10x12	8	FB4017M10X25	hexagon screw M10x25	10	FB4017M10X80	hexagon screw M10x80	2	FB4017M16X40	hexagon screw M16x40	12	FB4017M6X10	hexagon screw M6x10	4	FB4017M8X12	hexagon screw M8x12	2	FD16/6	adjusting screw 6mm	1	FD38	cable clamp	2	FND934M10	hexagon nut M10	4	FND934M14	hexagon nut M14	8	FND934M6	hexagon nut M6	5	FRD125M10	plain washer M10	16	FRD125M6	plain washer M6	4	FRD125M8	plain washer M8	2	FRD471M40	retaining ring M40	4	FRD9021M16	plain washer M16	12	FRD9021M6	plain washer M6	4	FS4028M14X40	hexagon socket set screw M14x40	8	FSD913M16X20	hexagon socket set screw M16x20	8	FSD963M6X10	countersunk head screw M6x10	4	P/25240247	steel cable 2mm	1	RT3640049	chain guiding	2	V/PZ-220/380	plastic bag 220x380	1	<p>23 P/25240148</p>  <ul style="list-style-type: none"> — FRD472M60 — TL51107 — CT3460028 — TL6007-ZZ — FGD71412M6X180 — CT3640026 	<p>43 P/25240209</p>  <ul style="list-style-type: none"> — EE-PL941 — W/25240209 — 25240209/C — FSD914M8X10 — CT3640079 — CT3640093  <ul style="list-style-type: none"> — W/25240209 — WIRE 4mm — EPL941
Item nr.	Item name	Quantity																																																																								
FB4017M10X12	hexagon screw M10x12	8																																																																								
FB4017M10X25	hexagon screw M10x25	10																																																																								
FB4017M10X80	hexagon screw M10x80	2																																																																								
FB4017M16X40	hexagon screw M16x40	12																																																																								
FB4017M6X10	hexagon screw M6x10	4																																																																								
FB4017M8X12	hexagon screw M8x12	2																																																																								
FD16/6	adjusting screw 6mm	1																																																																								
FD38	cable clamp	2																																																																								
FND934M10	hexagon nut M10	4																																																																								
FND934M14	hexagon nut M14	8																																																																								
FND934M6	hexagon nut M6	5																																																																								
FRD125M10	plain washer M10	16																																																																								
FRD125M6	plain washer M6	4																																																																								
FRD125M8	plain washer M8	2																																																																								
FRD471M40	retaining ring M40	4																																																																								
FRD9021M16	plain washer M16	12																																																																								
FRD9021M6	plain washer M6	4																																																																								
FS4028M14X40	hexagon socket set screw M14x40	8																																																																								
FSD913M16X20	hexagon socket set screw M16x20	8																																																																								
FSD963M6X10	countersunk head screw M6x10	4																																																																								
P/25240247	steel cable 2mm	1																																																																								
RT3640049	chain guiding	2																																																																								
V/PZ-220/380	plastic bag 220x380	1																																																																								