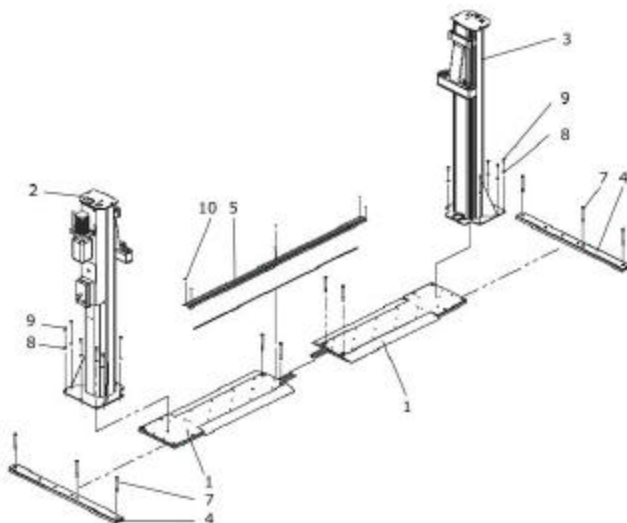
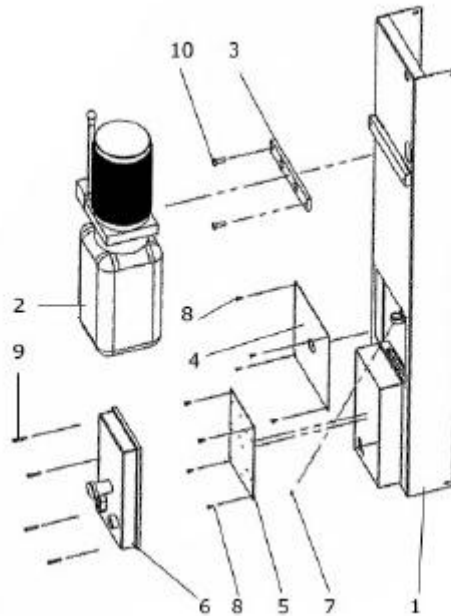


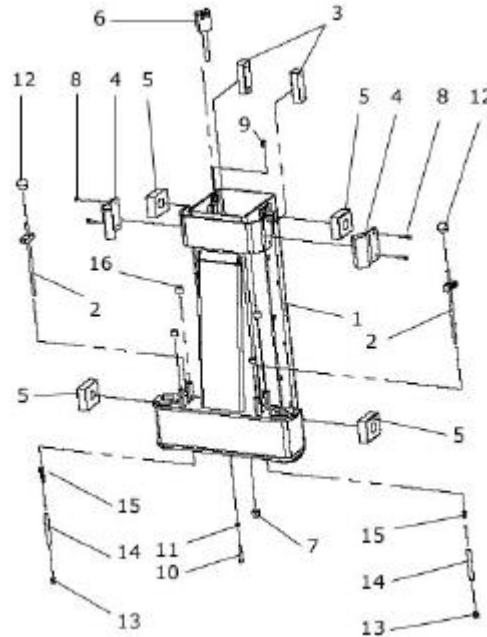
POS	ORD. NR. BEST.NR ALH-3024	ORD. NR. BEST.NR ALH-5024	ORD. NR. BEST.NR ALH-3024A	ORD.NR. BEST.NR ALH-5024A	DESCRIPTION	BESCHREIBUNG	OMSCHRIJVING
1.					P1 LONG ARM ASSEMBLY	P1 LANGER TRAGER LINKS KOMPLETT	P1 LANGE ARM SET COMPLEET
2.					P2 LONG ARM ASSEMBLY	P2 LANGER TRAGER LINKS KOMPLETT	P1 LANGE ARM SET COMPLEET
3.	OS10-920		OS10-920		P1 SHORT ARM ASSEMBLY	P1 KURZER TRAGER LINKS KOMPLETT	P1 KORTE ARM SET COMPLEET
4.	OS10-919		OS10-919		P2 SHORT ARM ASSEMBLY	P2 KURZER TRAGER LINKS KOMPLETT	P1 KORTE ARM SET COMPLEET
5.	OS20-0294	OS20-0295	OS20-0294	OS20-0295	ARMS FIXING PIN	SICHERUNG BOLZEN	ARM BLOKKEERPEN
6.	FS7380M8X16	FS7380M8X16	FS7380M8X16	FS7380M8X16	SCREW M8X16	BOLZEN M8X16	BOUT M8X16



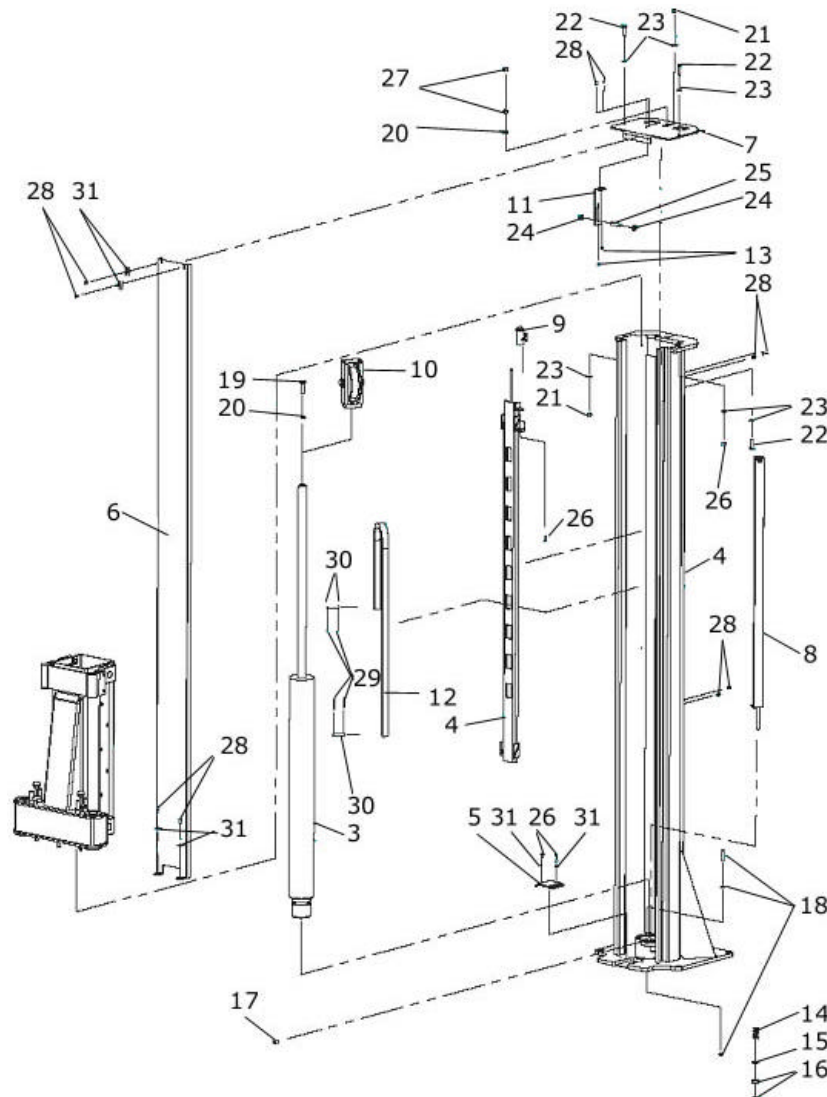
POS	ORD. NR. BEST.NR ALH-3024	ORD. NR. BEST.NR ALH-5024	ORD. NR. BEST.NR ALH-3024A	ORD.NR. BEST.NR ALH-5024A	DESCRIPTION	BESCHREIBUNG	OMSCHRIJVING
1.	OS10-868	OS10-871	OS10-868	OS10-871	BASE FRAME	RAHMEN	GRONDFRAME
2.					P1 COLUMN ASSEMBLY	P1 BEDIENUNGS SAULE	P1 BEDIENINGS KOLOM
3.					P2 COLUMN ASSEMBLY	P2 SERVICE SAULEN	P2 NIET BEDIENINGS KOLOM
4.	OS10-795	OS10-872	OS10-795	OS10-872	BASE FRAME BEAM	RAHMEN STUTZE	GRONDFRAME STEUN
5.	OS10-916	OS10-918	OS10-916	OS10-918	PIPES COVER	ABDECKRINNE	AFDEKGOOT
6.	OS10-956	OS10-958	OS10-956	OS10-958	PIPE	HYDR. LEITUNGSROHR	HYDR. LEIDING
7.	TIKM12X135	TIKM12X135	TIKM12X135	TIKM12X135	BOLT VS 12 D18/200 M12X125		FIX-ANKER
8.	FRD125M14	FRD125M14	FRD125M14	FRD125M14	PLAIN WASHER M14 UNI-6592	SCHLIEBRING M14	SLUITRING M14
9.	FB4017M14X40	FB4017M14X40	FB4017M14X40	FB4017M14X40	SCREW TE M14X40 UNI-EN 24017	BOLZEN M14X40	BOUT M14X40
10.	FSD7991M6X10	FSD7991M6X10	FSD7991M6X10	FSD7991M6X10	SCREW TBEI (BUTTON) M6X12	BOLZEN M6X12	BOUT M6X12



POS	ORD. NR. BEST.NR ALH-3024	ORD. NR. BEST.NR ALH-5024	ORD. NR. BEST.NR ALH-3024A	ORD.NR. BEST.NR ALH-5024A	DESCRIPTION	BESCHREIBUNG	OMSCHRIJVING
1.	OS10-909	OS10-910	OS10-909	OS10-910	HYDRAULIC UNIT FRAME	HYDR. UNIT RAHMEN	HYDR. UNIT FRAME
2.					TANK-MOTOR-PUMP GROUP	BEHÄLTER-MOTOR-PUMPE GRUPPE	POWERUNIT GROEP
3.	OS10-913	OS10-913	OS10-913	OS10-913	ASSEMBLY BRACKET FRAME-PUMP-MOTOR	HYDR. UNIT STÜTZE	POWERUNIT STEUN
4.	OS10-911	OS10-911	OS10-911	OS10-911	COVER	ABDECKUNG	AFDEKPLAAT
5.	OS10-912	OS10-912	OS10-912	OS10-912	ELECTRIC BOX PLATE	MONTAGEPLATTE	MONTAGEPLAAT BEDIENINGSKAST
6.	OS60-0635				ELECTRIC BOX COVER	ELEKTR. SCHALTENKASTEN DECKEL	DEKSEL BEDIENINGSKAST
7.	FSD913M5X10	FSD913M5X10	FSD913M5X10	FSD913M5X10	DOWEL M5X10 UNI 5927	BÜRGE SCHRAUBE M5X10	BORGSCHROEF M5X10
8.	-	-	-	-	SCREW TCC M4.2X13	SCHRAUBE M4.2X13	METAALSCHROEF M4.2X13
9.	-	-	-	-	SCREW TCC M4.2X32	SCHRAUBE M4.2X32	METAALSCHROEF M4.2X32
10.	FB4017M8X25	FB4017M8X25	FB4017M8X25	FB4017M8X25	SCREW TE M8X25 UNI-EN 24017	BOLZEN M8X25	BOUT M8X25

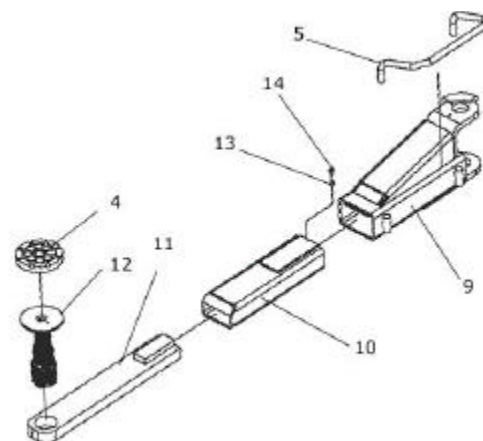
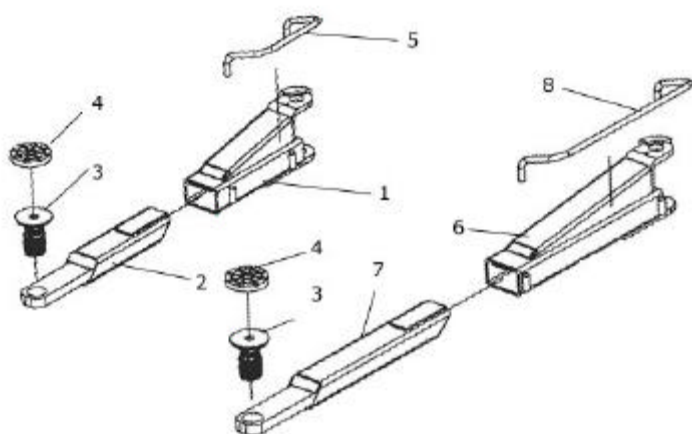


POS	ORD. NR. BEST.NR ALH-3024	ORD. NR. BEST.NR ALH-5024	ORD. NR. BEST.NR ALH-3024A	ORD. NR. BEST.NR ALH-5024A	DESCRIPTION	BESCHREIBUNG	OMSCHRIJVING
1a.	OS10-939	OS10-902	OS10-939	OS10-902	P1 WELDED CARRIAGE	P1 HEBETISCH	P1 DRAAGTAFEL
1b.	OS10-940	OS10-903	OS10-940	OS10-903	P2 WELDED CARRIAGE	P2 HEBETISCH	P2 DRAAGTAFEL
2.	OS10-935	OS10-936	OS10-935	OS10-936	MOVABLE TEETH SECTOR	TRAGER VERSTELLUNG	ARM VERSTELLING
3.	OS20-0274	OS20-0274	OS20-0274	OS20-0274	EXTERNAL SLIDING BLOCK	AÜBERLICH FUHRUNGSBLOCK	UITWENDIG GELEIDINGSBLOK
4.	OS70-0063	OS70-0063	OS70-0063	OS70-0063	DOOR SAFETY PAD	TURSCHUTZ	DEUR BESCHERMER
5.	OS20-0276	OS20-0276	OS20-0276	OS20-0276	CARRIAGE GUIDING SLIDING BLOCK	FUHRUNGSBLOCK	GELEIDINGSBLOK TBV DRAAGTAFEL
6.	OS20-0291	OS20-0291	OS20-0291	OS20-0291	CHAIN HOOK CARRIAGE COMPL.	KETTE VERBINDUNG	KETTING VERBINDING
7.					NUT M16	MUTTER M16	MOER M16
8.	FS7380M6X30	FS7380M6X30	FS7380M6X30	FS7380M6X30	SCREW TCEI M6X30 UNI 5931	BOLZEN M6X30	BOUT M6X30
9.	OS70-0054	OS70-0054	OS70-0054	OS70-0054	MAGNET Ø20	MAGNET Ø20	MAGNEET Ø20
10.	OS30-0273	OS30-0273	OS30-0273	OS30-0273	SCREW TE M8X45 UNI-EN 24017	BOLZEN M8X45	BOUT M8X45
11.	FRD934M8	FRD934M8	FRD934M8	FRD934M8	NUT M8 UNI-EN 24033	MUTTER M8	MOER M8
12.	TMKNOP32M	TMKNOP32M	TMKNOP32M	TMKNOP32M	PLASTIC KNOB M8 D32	PLASTIK KUGEL KNOPF	PLASTIC BOL KNOP
13.	FND934M8	FND934M8	FND934M8	FND934M8	NUT M8	MUTTER M8	MOER M8
14.	OS20-0296	OS20-0297	OS20-0296	OS20-0297	PIPE Ø12X1.5	RÖHRE Ø12X1.5	BUIS Ø12X1.5
15.	OS30-0282	OS30-0282	OS30-0282	OS30-0282	ARMS SAFETY STOP SPRING	TRAGER VERSTELLUNG FEDER	VEER TBV ARMVERSTELLING
16.	OS10-1013	OS10-1013	OS10-1013	OS10-1013	MOVABLE LOCKING SHIM	DISTANZ RÖHRE	AFSTANDBUS



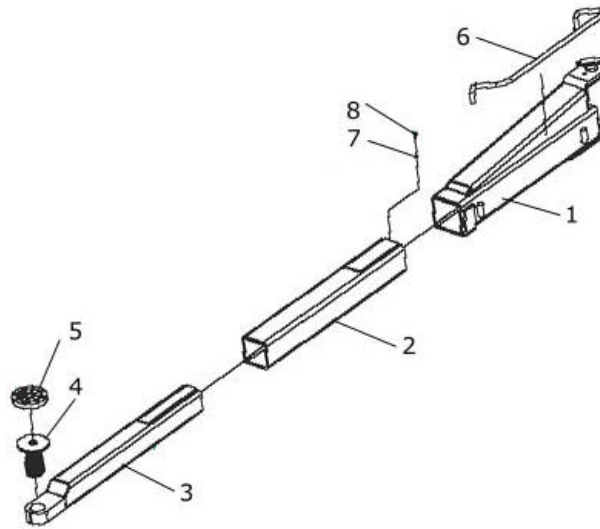
POS	ORD. NR. BEST.NR ALH-3024	ORD. NR. BEST.NR ALH-5024	ORD. NR. BEST.NR ALH-3024A	ORD.NR. BEST.NR ALH-5024A	DESCRIPTION	BESCHREIBUNG	OMSCHRIJVING
1a.	OS10-896	OS10-898	OS10-896	OS10-898	P1 COLUMN	P1 BEDIENINGS SAULE	P1 BEDIENINGS KOLOM
1b.	OS10-897	OS10-899	OS10-897	OS10-899	P2 COLUMN	P2 SAULE	P2 NIET BEDIENINGSKOLOM
3a.	OS40-0555	OS40-0557	OS40-0555	OS40-0557	P1 CYLINDER	P1 ZYLINDER	P1 CILINDER
3b.	OS40-0556	OS40-0558	OS40-0556	OS40-0558	P2 CYLINDER	P2 ZYLINDER	P2 CILINDER
4a.	OS10-904	OS10-904	OS10-904	OS10-904	P1 MECHANICAL SAFETY ASSEMBLY	P1 MECHANISCHEN SICHERUNG	P1 MECHANISCHE VERGRENDELING
4b.	OS10-905	OS10-905	OS10-905	OS10-905	P2 MECHANICAL SAFETY ASSEMBLY	P2 MECHANISCHEN SICHERUNG	P2 MECHANISCHE VERGRENDELING
5.	OS10-915	OS10-915	OS10-915	OS10-915	PIPE COVER	HYDR. LEITUNG ABDECKUNG	AFDEKPLAAT TBV HYDR. LEIDING
6.	OS10-907	OS10-907	OS10-907	OS10-907	COLUMN GUARD	SCHUTZPLATTE SAULE	BESCHERMPLAAT TBV KOLOM
7.	OS10-906	OS10-906	OS10-906	OS10-906	TOP COLUMN COVER	TOPP PLATTE SAULE	TOP PLAAT KOLOM
8.	OS20-0290	OS20-0290	OS20-0290	OS20-0290	BASE COMB ASSEMBLY	KETTE VERLANGERINGSSTUICK	KETTING VERLENGSTUK
9.	OS50-0092	OS50-0092	OS50-0092	OS50-0092	AIR CYLINDER	PNEUM. ENTRIEGELN ZYLINDER	PNEUM. ONTGRENDEL CILINDER
10.					PULLEY + FORK ASSEMBLY	KETTE ROLLE BLOCK	POELIE BLOK
11.	OS10-955	OS10-955	OS10-955	OS10-955	MAX HEIGHT LIMIT SWITCH BRACKET	ANFLUG MAX HOË SCHALTER	AANSLAG MAX. HOOGTE EINDSENSOR
12.	OS30-0363	OS30-0363	OS30-0363	OS30-0363	CHAIN	KETTE	KETTING
13.	FND982M6	FND982M6	FND982M6	FND982M6	NUT M6 UNI 7473	MUTTER M6	MOER M6
14.	OS30-0147	OS30-0147	OS30-0147	OS30-0147	COMPRESSION SPRING 30X33X67	FEDER Ø30XØ33X67	DRUKVEER Ø30XØ33X67
15.	FRD125M16	FRD125M16	FRD125M16	FRD125M16	WASHER M16 ISO-7039	SCHLIEBRING M16	SLUITRING M16

POS	ORD. NR. BEST.NR ALH-3024	ORD. NR. BEST.NR ALH-5024	ORD. NR. BEST.NR ALH-3024A	ORD. NR. BEST.NR ALH-5024A	DESCRIPTION	BESCHREIBUNG	OMSCHRIJVING
16.	FND934M16	FND934M16	FND934M16	FND934M16	NUT M16 ISO-4032	MUTTER M16	MOER M16
17.	FSD914M12X30	FSD914M12X30	FSD914M12X30	FSD914M12X30	DOWEL M12X30 UNI-5927	SICHERUNGS SCHRAUBE M12X30	BORGSCHROEF M12X30
18.	OS61-0050	OS61-0050	OS61-0050	OS61-0050	PROXIMITY SWITCH NC 8 M	SCHALTER NC 8M	SENSOR NC 8M
19.	FB4012M14X45	FB4012M14X45	FB4012M14X45	FB4012M14X45	SCREW TE M14X45 UNI-EN 24017	BOLZEN M14X45	BOUT M14X45
20.	FND934M14	FND934M14	FND934M14	FND934M14	WASHER M14 UNI-6592	SCHLIEßBRING M14	SLUITRING M14
21.	FND982M10	FND982M10	FND982M10	FND982M10	NUT M10 UNI 7473	MUTTER M10	MOER M10
22.	FB4012M10X40	FB4012M10X40	FB4012M10X40	FB4012M10X40	SCREW TE M10X40 UNI-EN 24017	BOLZEN M10X40	BOUT M10X40
23.	FRD125M10	FRD125M10	FRD125M10	FRD125M10	WASHER M10 UNI 6592	SCHLIEßBRING M10	SLUITRING M10
24.	FND934M12	FND934M12	FND934M12	FND934M12	NUT M12 UNI-EN 24035	MUTTER M12	MOER M12
25.	OS60-0498	OS60-0498	OS60-0498	OS60-0498	PROXIMITY SWITCH NC 6M	SCHALTER NC 6M	SENSOR NC 6M
26.	FB4012M6X20	FB4012M6X20	FB4012M6X20	FB4012M6X20	SCREW TE M6X20 UNI-EN 24017	BOLZEN M6X20	BOUT M6X20
27.	FND934M14	FND934M14	FND934M14	FND934M14	NUT M14 UNI-EN 24033	MUTTER M14	MOER M14
28.	FS7380M6X16	FS7380M6X16	FS7380M6X16	FS7380M6X16	SCREW TBEI(BUTTON) M6X16 ZG	BOLZEN M6X16	BOUT M6X16
29.	FSPD94-3X40	FSPD94-3X40	FSPD94-3X40	FSPD94-3X40	SAFETY PIN 3.2X40	SPLINT 3.2X40	SPLIT PEN 3.2X40
30.	OS30-0364	OS30-0364	OS30-0364	OS30-0364	PIN FOR CHAIN	VERBINDUNG STIFT	VERBINDINGS PEN TBV KETTING
31.	FRD125M6	FRD125M6	FRD125M6	FRD125M6	WASHER M6 UNI-6592	SCHLIEßBRING M6	SLUITRING M6

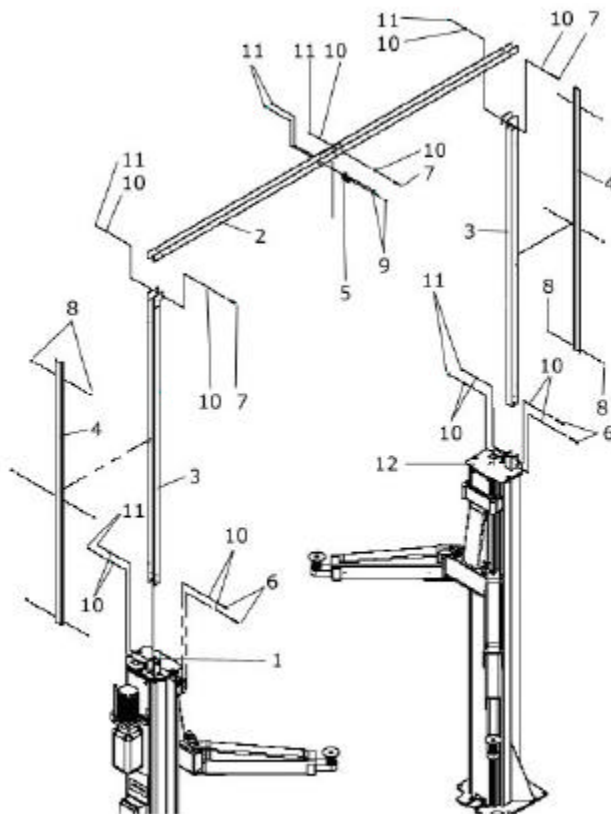


POS	ORD. NR. BEST.NR ALH-3024	ORD. NR. BEST.NR ALH-5024	ORD. NR. BEST.NR ALH-3024A	ORD. NR. BEST.NR ALH-5024A	DESCRIPTION	BESCHREIBUNG	OMSCHRIJVING
1a.	OS10-944	-	OS10-944	-	P1 SHORT ARM	P1 KURZER TRAGER LINKS	P1 KORTE ARM LINKS
1b.	OS10-943	-	OS10-943	-	P2 SHORT ARM (SHOWN IN PICTURE)	P2 KURZER TRAGER RECHTS	P2 KORTE ARM RECHTS
2.	OS10-945	-	OS10-945	-	SHORT ARM EXTENSION	KURZER TRAGER ANSATZSTÜCK	KORTE ARM VERLENGING
3.	OS20-0302	-	OS20-0302	-	PAD EXTENSION	AUFNAHME SCHRAUBE 2 TEIL	OPNAME SPINDEL 2 DELIG
4.	OS70-0045	-	OS70-0045	-	RUBBER PAD	GUMMI AUFLAGE	OPNAME RUBBER
5.	OS10-960	-	OS10-960	-	SHORT ARM FEET PROTECTION	FUSSSCHUTZ KURZER ARM	VOET BEVEILIGING KORTE ARM
6a.	OS10-923	-	OS10-923	-	P1 LONG ARM RIGHT	P1 LANGER TRAGER RECHTS	P1 LANGE ARM RECHTS
6b.	OS10-925	-	OS10-925	-	P2 LONG ARM LEFT	P2 LANGER TRAGER LINKS	P2 LANGE ARM LINKS
7.	OS10-928	-	OS10-928	-	LONG ARM EXTENSION	LANGER TRAGER ANSATZSTÜCK	LANGE ARM VERLENGING
8.	OS10-959	-	OS10-959	-	LONG ARM FEET PROTECTION	FUSSSCHUTZ LANGER TRAGER	VOET BEVEILIGING LANGERE ARM
9a.	OS10-920	-	OS10-920	-	P1 SHORT ARM	P1 KURZER TRAGER (3 TEIL)	P1 KORTE ARM (3DELIGE)
9b.	OS10-919	-	OS10-919	-	P2 SHORT ARM (SHOWN IN PICTURE)	P2 KURZER TRAGER (3 TEIL)	P2 KORTE ARM (3 DELIG)
10.	OS10-921	-	OS10-921	-	SHORT ARM MEDIUM EXTENSION	KURZER TRAGER MITTELSTÜCK	KORTE ARM MIDDENSTUK
11.	OS10-927	-	OS10-927	-	SHORT ARM EXTENSION	KURZER ARM ANSATZSTÜCK	KORTE ARM VERLENGSTUK
12.	OS20-0019	-	OS20-0019	-	PAD EXTENSION 4 STAGES	AUFNAHME SCHRAUBE 4 TEIL	OPNAME SPINDEL 4 DELIG
13.	FSD912M6X10	-	FSD912M6X10	-	NUT M6	MUTTER M6	MOER M6
14.	FND934M6	-	FND934M6	-	SCREW M6X10	BOLZEN M6X10	BOUT M6X10





POS	ORD. NR. BEST.NR ALH-3024	ORD. NR. BEST.NR ALH-5024	ORD. NR. BEST.NR ALH-3024A	ORD. NR. BEST.NR ALH-5024A	DESCRIPTION	BESCHREIBUNG	OMSCHRIJVING
1a.	-	OS10-930	-	OS10-930	P1 LONG ARM	P1 LANGER TRAGER	P1 LANGE ARM
1b.	-	OS10-931	-	OS10-931	P2 LONG ARM	P2 LANGER TRAGER	P2 LANGE ARM
2.	-	OS10-932	-	OS10-932	LONG ARM MEDIUM EXTENSION	KURZER TRAGER MITTELSTÜCK	KORTE ARM MIDDENSTUK
3.	-	OS10-932	-	OS10-932	LONG ARM EXTENSION	KURZER ARM ANSATZSTÜCK	KORTE ARM VERLENGSTUK
4.	-	OS20-0302	-	OS20-0302	PAD EXTENSION 2 STAGES	AUFNAHME SCHRAUBE 2 TEIL	OPNAME SPINDEL 2 DELIG
5.	-	OS70-0045	-	OS70-0045	RUBBER PAD	GUMMI AUFLAGE	OPNAME RUBBER
6.	-	OS10-959	-	OS10-959	SHORT ARM FEET PROTECTION	FUSSCHUTZ LANGER ARM	VOET BEVEILIGING LANGE ARM
7.	-	FSD912M6X10	-	FSD912M6X10	NUT M6 UNI-EN 24033	MUTTER M6	MOER M6
8.	-	FND934M6	-	FND934M6	SCREW TCEI M6X10 UNI5931	BOLZEN M6X10	BOUT M6X10



POS	ORD. NR. BEST.NR ALH-3024	ORD. NR. BEST.NR ALH-5024	ORD. NR. BEST.NR ALH-3024A	ORD.NR. BEST.NR ALH-5024A	DESCRIPTION	BESCHREIBUNG	OMSCHRIJVING
1.	OS10-922	OS10-922	OS10-922	OS10-922	P1 COLUMN TOP COVER FOR OVER-HEAD VERSION	P1 TOPP PLATTE SAULE FUR UBENVERBINDUNG	P1 TOP PLAAT KOLOM VOOR BOVEN-VERBINDING
2.	OS10-948	OS10-950	OS10-948	OS10-950	CROSS BEAM	TOPP RINNE	BOVEN BALK
3.	OS10-951	OS10-953	OS10-951	OS10-953	OVER HEAD SUPPORT	VERTIKALE RINNE	VERTIKALE BALK
4.	OS10-1018	OS10-1018	OS10-1018	OS10-1018	OVER HEAD COVER	ABDECKUNG VERTIKALE RINNE	AFDEKKAP VERTIKALE BALK
5.	OS10-1015	OS10-1015	OS10-1015	OS10-1015	PHOTOCELL BRACKET	ANFLUG SCHALTER	STEUN TBV FOTOCEL
6.	FSD912M6X80	FSD912M6X80	FSD912M6X80	FSD912M6X80	SCREW TCEI M6X80 UNI 5931	BOLZEN M6X80	BOUT M6X80
7.	FSD912M6X70	FSD912M6X70	FSD912M6X70	FSD912M6X70	SCREW TCEI M6X70 UNI 5931	BOLZEN M6X70	BOUT M6X70
8.	-	-	-	-	SCREW TCC M4.2X13	SCHRAUBE M4.2X13	METAALSCHROEF M4.2X13
9.	FS7380M6X16	FS7380M6X16	FS7380M6X16	FS7380M6X16	SCREW TBEI M6X16ZG	BOLZEN M6X16	BOUT M6X16
10.	FRD125M6	FRD125M6	FRD125M6	FRD125M6	WASHER M6 UNI-6592	SCHLIEBRING M6	SLUITRING M6
11.	FND934M6	FND934M6	FND934M6	FND934M6	NUT M6 UNI-EN 24033	MUTTER M6	MOER M6
12.	OS10-933	OS10-933	OS10-933	OS10-933	P2 COLUMN TOP COVER FOR OVER-HEAD VERSION	P2 TOPP PLATTE SAULE FUR UBENVERBINDUNG	P2 TOP PLAAT KOLOM VOOR BOVEN-VERBINDING