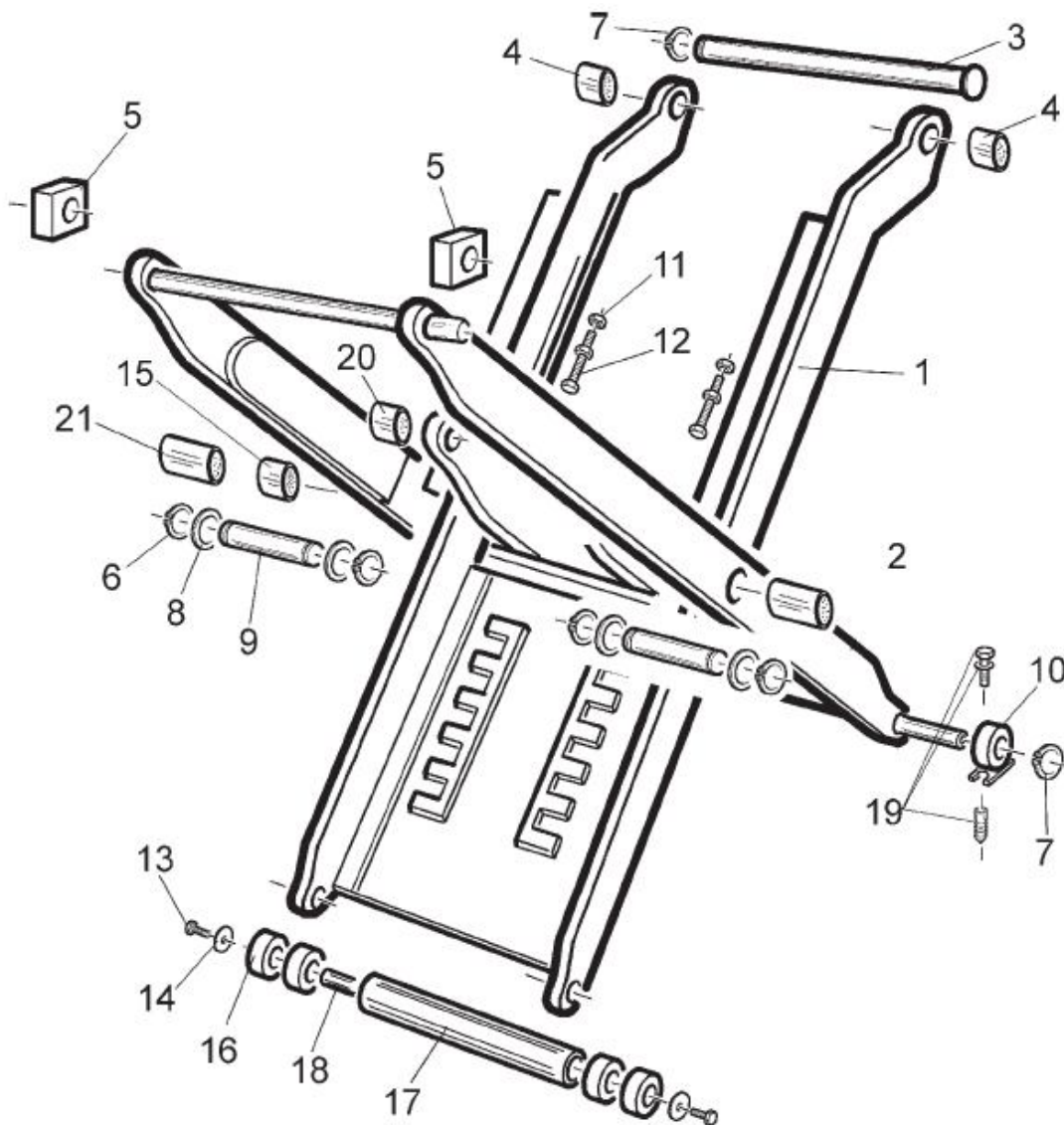
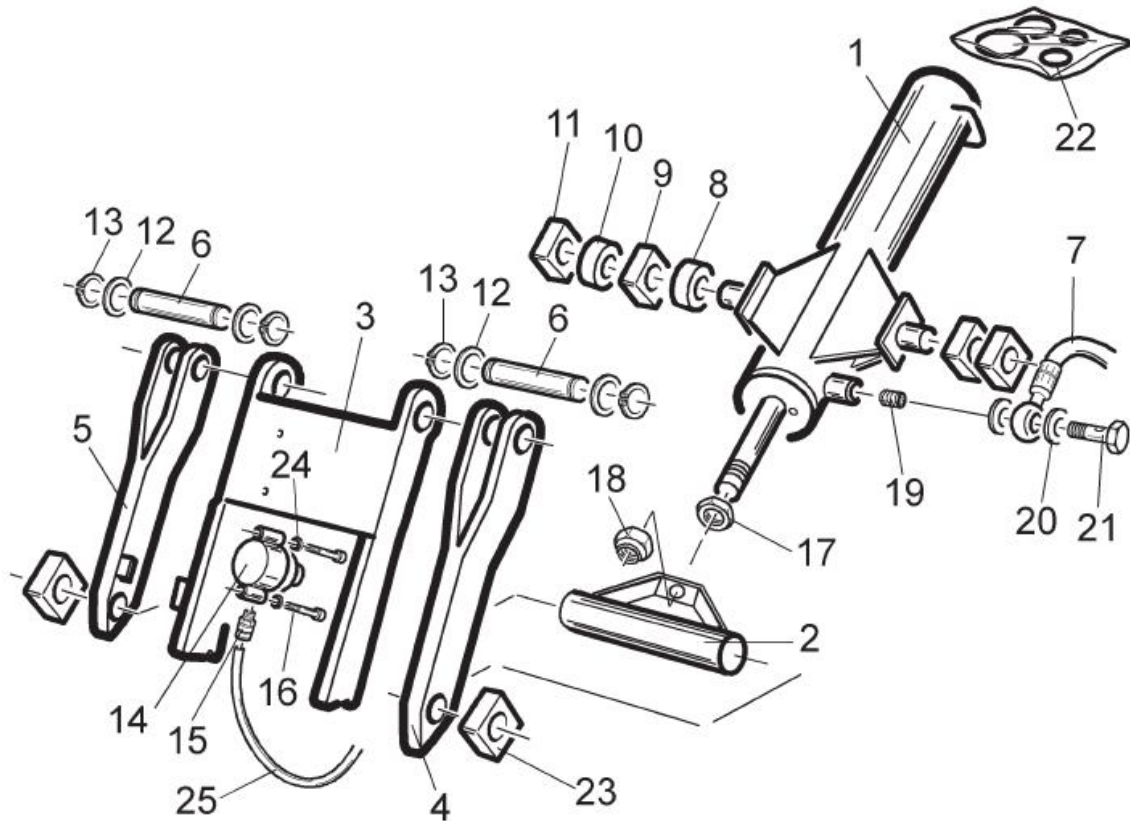


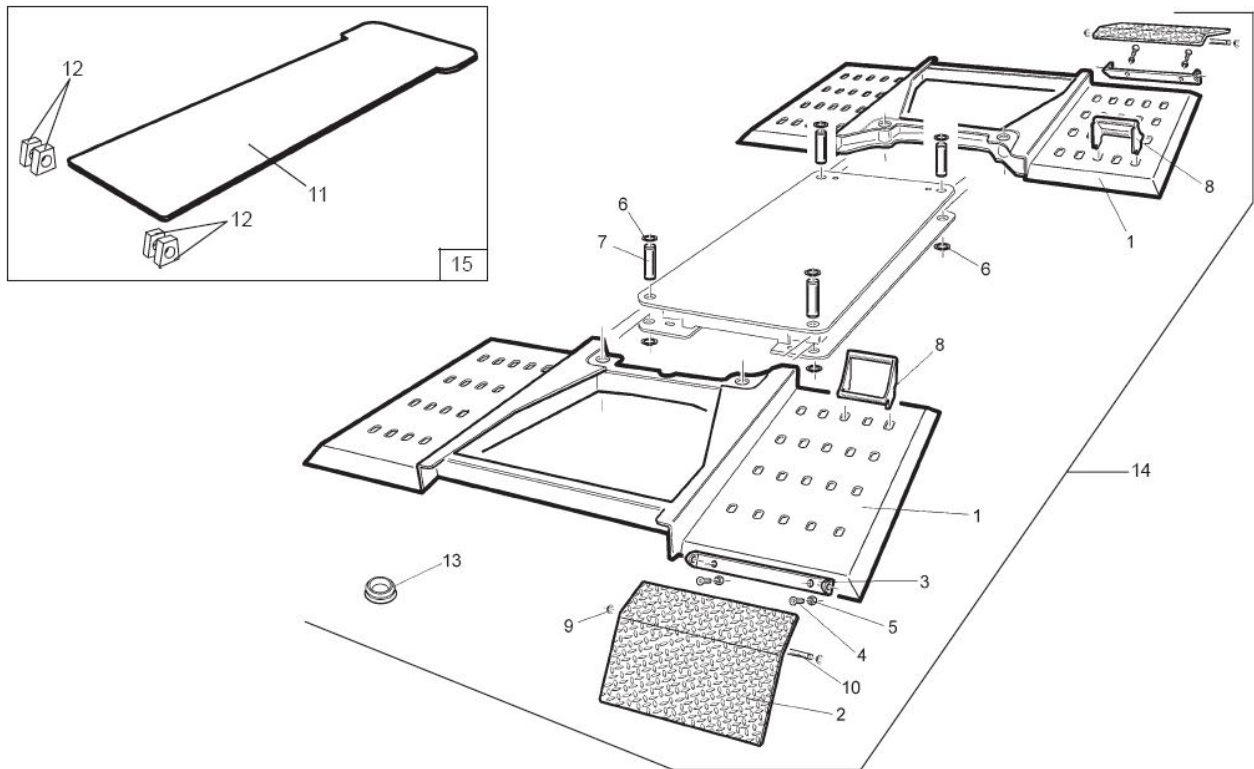
REF	CODE	DESCRIZIONE	DESCRIPTION	DESCRIPTION	BESCHREIBUNG
1	6126372	PEDANA X2503	RUNWAY	CHEMIN DE ROULEMENT	FAHRSCIENE
2	2126380	BRACCETTO DX	RIGHT ARM	BRAS DROIT	R ARM
3	2126384	BRACCETTO SX	LEFT ARM	BRAS GAUCHE	L ARM
4	4299379	TAMPONE IN GOMMA D.140	RUBBER PAD .140	TAMPON CAOUTCHOUC D.140	GUMMIPUFFER D.140
5	3026556	PERNO BRACCETTI	ARM PIN	AXE DE BRAS	ARMBOLZEN
6	4398178	ANELLO SEEGER D.40	SEEGERRING D.40	BAGUE SEEGER D.40	SEEGERRING D.40
7	4399823	VITE ALETTA M 8x16	WING NUT BOLT M8x16	VIS A OREILLES M8x16	DAUMENSCHRAUBE M8x16
8	2126895	SCORREVOLE DX	ARM SLIDING PIECE	PATIN	AUSLEGERNSCHLITTEN
9	2126879	SUPP.TAMPONE REG. L=95	PAD SUPPORT L=95	SUPPORT TAMPON L=95	PUFFERTRAEGER L=95
10	4399981	RONDELLA 12	WASHER 12	RONDELLE 12	BEILAGSSCHEIBE 12
11	4399802	VITE TSPEI M 8x30	SCREW 8x30	VIS 8x30	SCHRAUBE 8x30
12	4396940	SPINA CIL.RETT. 8x20	PARALLEL PIN 8x20	AXE CYLINDRIQUE 8x20	ZYLINDERSTIFT 8x20
13	3026531	ANELLO CENTRAGGIO	CENTERING RING	BAGUE DE CENTRAGE	ZENTRIERRING
14	2126532	COMPL.ANTIROTAZIONE FEMMINA	ANTI-ROTATION SYSTEM	SYSTEME ANTI-ROTATION	DREHSPERRSYSTEM
15	4397514	VITE TCEI M 8x25	SCREW 8x25	VIS 8x25	SCHRAUBE 8x25
16	3026530	INGRANAGGIO ANTI ROTAZIONE MASCHIO	ANTI-ROTATION GEAR	ENGRENAGE ANTI-ROTATION	ZAHNSCHEIBE
17	4399432	VITE TCEI M10x18	SCREW 10x20	VIS 10x20	SCHRAUBE 10x20
18	3026995	MOLLA	SPRING	RESSORT	FEDER



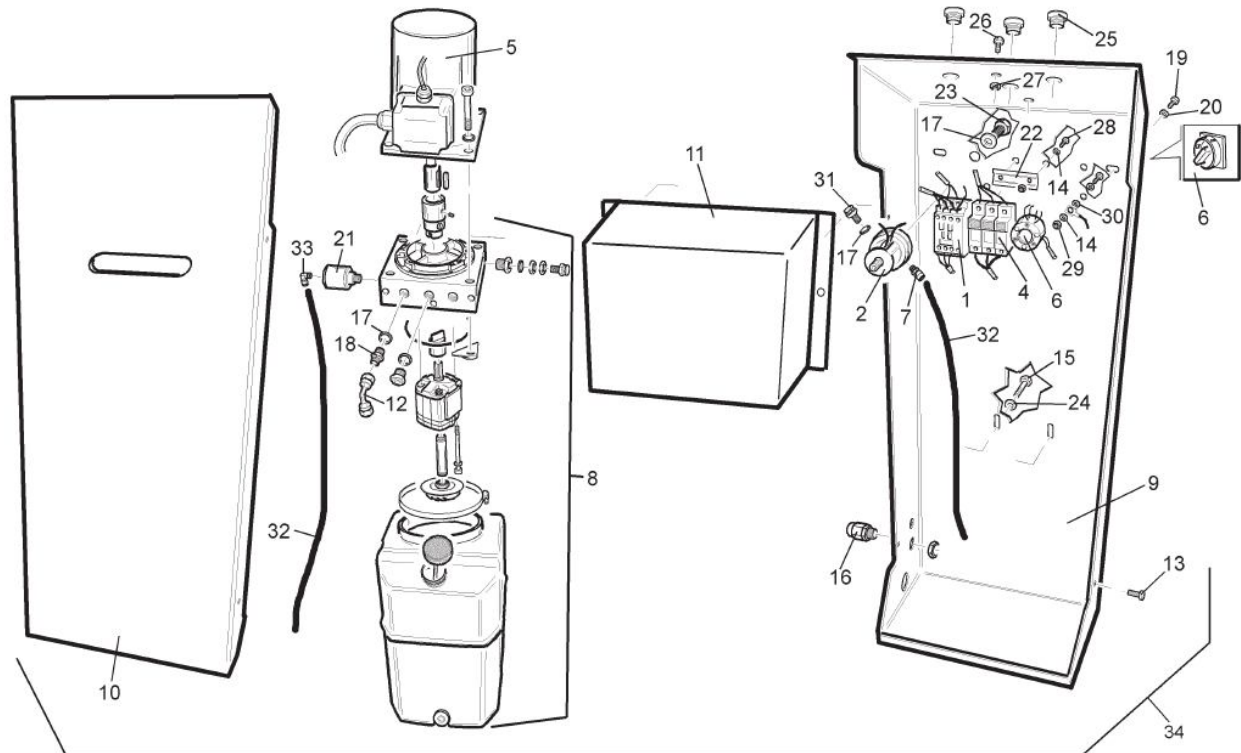
REF	CODE	DESCRIZIONE	DESCRIPTION	DESCRIPTION	BESCHREIBUNG
1	8526364	BRACCIO INTERNO	INNER ARM X2503	BRAS INTERIEUR X2503	INNENARM X2503
2	8526284	BRACCIO ESTERNO	OUTER ARM X2503	BRAS EXTER. X2503	AUSSENARM X2503
3	3026405	PERNO FISSO PEDANA	PN	AXE	STIFT
4	4298590	BOCCOLA KU 30/34 L=20	BUSH 30/34 L=20	COQUILLE 30/34 L=20	BUECHSE 30/34 L=20
5	3026538	PATTINO PEDANA	SLIDE	PATIN	SCHLITTEN
6	4398178	ANELLO SEEGER E.D.40	SEEGER RING D.40	BAGUE SEEGER D.40	SEGER RING D.40
7	4399979	ANELLO SEEGER E.D.30	SEEGER RING D.30	BAGUE SEEGER D.30	SEGER-RING D.30
8	4397682	RASAMENTO 42x65x1	SHIM ADJUSTMENT 42x65x1	CALE 42X65X1	ZWISCHENLAGE 42x65x1
9	3026404	PERNO CENTRALE	PN	AXE	STIFT
10	2126217	CERNIERA X2503	HINGE	ARTICULATION	GELENK
11	4399967	DADO M10 6S BASSO	NUT M10	ECROU M10	MUTTER M10
12	4399423	VITE TE 10x70	SCREW 10x70	VIS 10x70	SCHRAUBE 10x70
13	4399827	VITE TE 8x20	SCREW 8x20	VIS 8x20	SCHRAUBE 8x20
14	4395669	RONDELLA 10	WASHER 10	RONDELLE 10	BEILAGSSCHEIBE 10
15	4298138	BOCCOLA KU 40/44 L.30	BUSH KU 40/44 L.30	COQUILLE KU 40/44 L.30	BUECHSE KU 40/44 L.30
16	3026552	RUOTA INFERIORE	WHEEL	GALET	RAD
17	3026553	TUBO DISTANZIALE RUOTE	SPACER	ENTRETOISE	ABSSTANDSSTANGE
18	3026502	PERNO RUOTE BRACCIO INTERNO	PN	AXE	STIFT
19	4397968	TASSELLO SPIT FIX 050590 10/25	SCREW ANCHOR	VIS D'ANCRAGE	DUEBEL
20	4297787	BOCCOLA KU 30/34 L.15	BUSH 30/34 L=15	COQUILLE 30/34 L=15	BUECHSE 30/34 L=15
21	4298605	BOCCOLA KU 40/44 L=50	BUSH 40/44 L=50	COQUILLE 40/44 L=50	BUECHSE 40/44 L=50



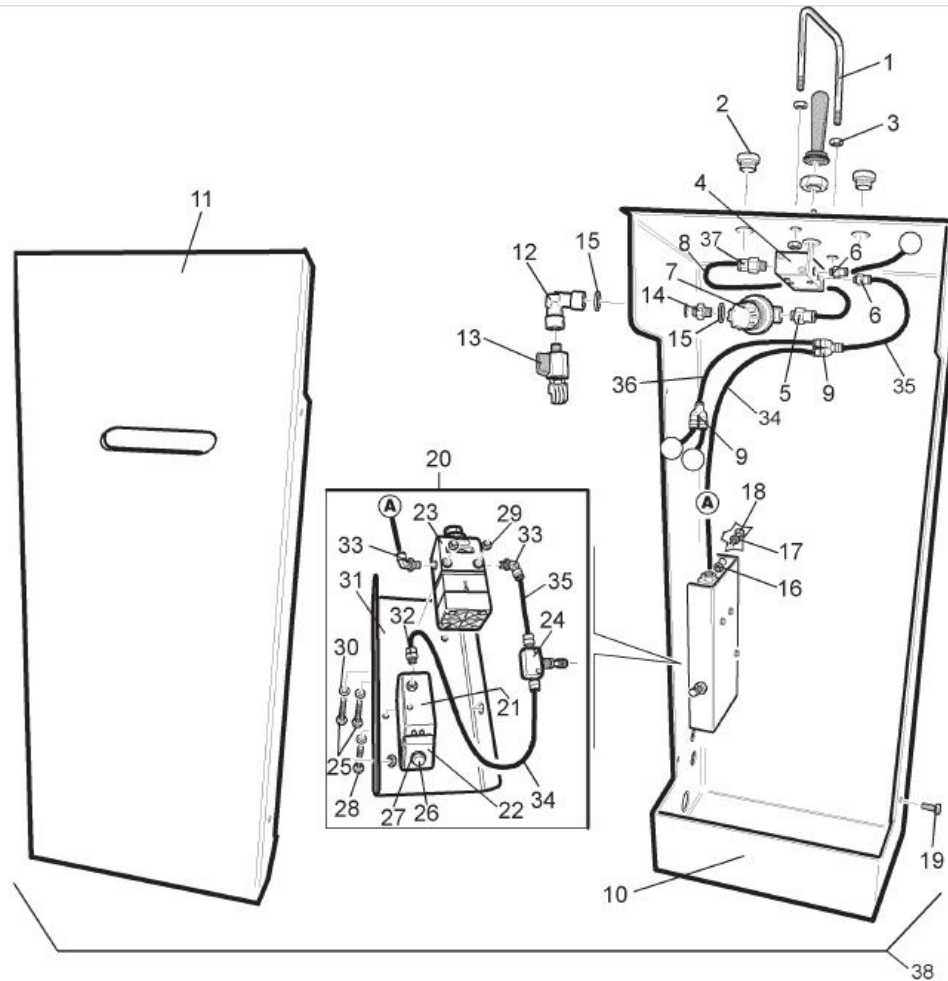
REF	CODE	DESCRIZIONE	DESCRIPTION	DESCRIPTION	BESCHREIBUNG
1	6626278	CILINDRO D.65	CYLINDER D.65	VERIN D.65	ZYLINDER D.65
2	2126264	PERNO IFERIORE LEVA	LEVER PIN	AXE LEVIER	HEBELSTIFT
3	2126260	ARPIONE SUPERIORE	UPPER RACKS	CREMAILLIERE SUPERIEURE	OBERZAHNSTANGE
4	2126268	LEVA DI SPUNTO DX	R-LEVER	LEVIER D.	R-HEBEL
5	2126273	LEVA DI SPUNTO SX	L-LEVER	LEVIER G.	L-HEBEL
6	3026406	PERNO LEVA BRACCIO INTERNO	PIN	AXE	STIFT
7	3026842	TUBO FLESSIBILE L.10000	FLEX HOSE L.10000	TUYAU FLEX. L. 10000	FLEX SCHLAUCH L.10000
8	3024571	DISTANZIALE BRACCIA	SPACER	ENTRETOISE	ABSTANDSSTUECK
9	3026540	PATTINO CAMMA	SLIDE	PATIN	SCHLITTEN
10	3024570	DISTANZIALE PATTINO LEVA	SPACER	ENTRETOISE	ABSTANDSSTUECK
11	3026539	PATTINO BRACCIO	SLIDE	PATIN	SCHLITTEN
12	4298589	RASAMENTO 32x45x2	SHIM ADJUSTMENT 32x45x2	CALE 32x45x2	ZWISCHENLAGE 32x45x2
13	4399979	ANELLO SEEGER E D.30	SEEGER RING D.30	BAGUE SEEGER D.30	SEEGER-RING D.30
14	2027224	GR.CILINDRO SICURA	CYLINDER	VERIN	ZYLINDER
15	4197742	RACCORDO 6510 1/8"	QUICK UNION 1/8"	RACCORD RAPIDE 1/8"	SCHNELLANSCHLUSS 1/8"
16	4399135	VITE TCEI M 6x35	SCREW 6x35	SCREW 6x35	SCHRAUBE 6x35
17	4395658	DADO M24x2	SELF-LOCKING NUT M24x2	ECROU AUTOBL.M24x2	SELBSTSICHERNDE MUTTER M24x2
18	4398218	DADO AUTOBL.M24	SELF-LOCKING NUT M24	ECROU DE VERROUILLAGE 24	SELBSTSICHERNDE MUTTER M24
19	4196929	VALVOLA PARAC. 1/4"	FALL-STOP VALVE 1/4"	VALVE PARACHUTE 1/4"	ABSPERRVENTIL 1/4"
20	4399256	ROND. RAME 1/4"	COPPER WASHER 1/4"	RONDELLE EN CUIVRE 1/4"	KUPFERSCHEIBE 1/4"
21	4199249	BULLONE RACCORDO FORATO 1/4"	DRILLED UNION BOLT 1/4"	BOULON RACCORD PERCE 1/4"	LOCHVERSCHRAUBUNG 1/4"
22	2026906	KIT GUARNIZIONI CILINDRO	KIT OF CYLINDER SEALS	JEU DE JOINTS VERIN	ZYLINDERDICHTUNGSSATZ
23	3026537	PATTINO LEVA	SLIDE	PATIN	SCHLITTEN
24	4399998	RONDELLA 6 (6,4x12x1,6)	WASHER 6	RONDELLE 6	BEILAGSSCHEIBE 6
25	4096276	TUBO RILSAN 4x2,7 NERO	RILSAN HOSE 4x2,7	TUYAU RILSAN 4x2,7	SCHLAUCH 4x2,7



REF	CODE	DESCRIZIONE	DESCRIPTION	DESCRIPTION	BESCHREIBUNG
1	7326480	SEMITELAIO RVB-GIALLO	PARTIAL FRAME	DEMI-CADRE	TEILRAHMEN
2	2126560	PONTICELLO	DRIVE-ON/OUT BAR	RAMPE ENTREE/SORTIE	AUF-/AUSFAHRTRAMPE
3	3026565	CERNIERA	HINGE	ARTICULATION	GELENK
4	4399837	VITE TSPEI M 8x20	SCREW 8x20	VIS 8x20	SCHRAUBE 8X20
5	4399900	DADO AUTOBL.M 8 BASSO	SELF-LOCKING NUT M8	ECROU DE VERROUILLAGE M8	SELBSTSPERRENDE MUTTER M8
6	4398178	ANELLO SEEGER E D.40	SEEGER RING D.40	BAGUE SEEGER D.40	SEEGER RING D.40
7	3026556	PERNO BRACCETTI	PIN	AXE	STIFT
8	2126564	FERMA RUOTE MOBILE	WHEEL LIMIT STOP	BLUTEE DE ROUE	RADENDANSCHLAG
9	4396968	ANELLO QUICKLOCK D.15	QUICKLOCK RING D.15	BAQUE QUICKLOCK D.15	QUICKLOCK RING D.15
10	3026710	PERNO PONTICELLI	PIN	AXE	STIFT
11	3026583	LONGHERONE	BASEFRAME	LONGERON	LAENGSTRAEGER
12	3026604	PATTINO LONGHERONE	SLIDE	PATIN	SCHLITTEN
13	4297500	PIEDE IN GOMMA D.32	RUBBER FOOT D.32	PIED EN CAOUTCHOUC	GUMMIFUSS D.32
14	2026711	GR. RV - X2503	RV GROUP	GROUP RV	RV
15	9426931	289/04 KIT LAMIERA X PAVIMENTO	289/04 KIT OF FLOOR COVER+SLIDES	289/04 JEU DE TOLE POUR SOL	289/04 BODENSCHUTZBLECH + 4 GLEITSCHUHE



REF	CODE	DESCRIZIONE	DESCRIPTION	DESCRIPTION	BESCHREIBUNG
1	4595752	TELERUTTORE 230V	REMOTE CONTROL SWITCH	TELERUPTEUR	FERNSCHALTER
2	4595731	PRESSOSTATO 230V 1NA 2-10 BAR	MANOSTAT 230V 1NA 2-10 BAR	MANOSTAT 230V 1NA 2-10 BAR	DRUCKWAECHTER 230V 1NA 2-10 BAR
3	4597931	FUSIBILE CERAMICO 10AAM 10x38	FUSE 10x38 10 A.	FUSIBLE 10x38 10 A.	SCHMELZSICHERUNG 10x38 10 A
4	4598021	PORTAFUSIBILIA CASS. TRIPOLARE	FUSE CARRIER	TABEAU DES FUSIBLES	SICHERUNGSKOERPER
5	4595754	MOT.3PH 400V.50HZ 1,8KW S3	MOT.3PH 400V.50HZ 1,8KW	MOTEUR 3PH 400V.50HZ 1,8KW	MOTOR 3PH 400V.50HZ 1,8KW
6	4595693	INTERRUTTORE COMPLETO 4x12A	SWITCH 4x12A	INTERRUPTEUR 4x12A	SCHALTER 4x12A
7	4197742	RACCORDO 6510 1/8" -4 S.RAPIDO	QUICK UNION 1/8"	RACCORD RAPIDE 1/8"	SCHNELLANSCHLUSS 1/8"
8	2026791	CENTRALINA + SERBATOIO	CONTROL UNIT + TANK	UNITE COMMANDE+RESERVOIR	STEUEREINHEIT+BEHAELTER
9	8526877	BASAMENTO CENTRALINA	CONTROL UNIT HOUSING	LOGEMENT UNITE DE COMM.	STEUEREINHEITSTRAGRAHMEN
10	8526878	COPERCIO CENTRALINA	CONTROL UNIT FRONT PANEL	PANNEAU AVANT UNITE COMM.	STEUEREINHEITVORDERDECKEL
11	8526773	SCATOLA ELETTRICA -GRIGIO 7001	ELECTRIC BOX	BOITE ELECTRIQUE	SCHALKASTEN
12	4196244	CURVA GAS 90° F/F 1/4 GIR	90° ROTATING ELBOW	COUDE TOURNANT 90°	90° DREHWINKELSTUECK
13	4395637	VITE AUTOF.TCIC 5,5x19 6954	SELF-THREADING SCREW 5,5x19	VIS AUTOTARADEUSE 5,5x19	SELBSTSCHN. SCHRAUBE 5,5x19
14	4399903	RONDELLA 4 (4,5x12x1,5)ZNT6593	WASHER 4	RONDELLE 4	BEILAGSSCHEIBE 4
15	4399966	VITE TE 10x20 8.8 5739	SCREW 10x20	VIS 10x20	SCHRAUBE 10x20
16	4598092	PRESSACAVO BIMED BB04 PG13,5	CABLE FASTENER	PRESSE-CABLE	KABELDURCHGANG
17	4399256	ROND. RAME 1/4" (13x19x1,5)	COPPER WASHER 1/4"	RONDELLE EN CUIVRE 1/4"	KUPFERSCHEIBE 1/4"
18	4199257	NIPPLO IDR. 1/4"-h.7mm	NIPPLE 1/4"	NIPPLE 1/4"	ANSCHLUSS 1/4"
19	4399892	VITE TE 6x20 8.8 5739	SCREW 6x20	VIS 6x20	SCHRAUBE 6x20
20	4399998	RONDELLA 6 (6,4x12x1,6)ZNT6592	WASHER 6	RONDELLE 6	BEILAGSSCHEIBE 6
21	4195696	VALVOLA IDR. 2VIE	2-WAYS HYDRAULIC VALVE	CLAPET HYDR. 2-VOIES	2-WEGE HYDRAULIKVENTIL
22	3006330	BARRA OMEGAL=110	BAR L=110	BARRE L=110	STANGE L=110
23	4197011	TAPPO TMG 1/4	STOPPER	BOUCHON	PFROFFEN
24	4397749	RONDELLA 10x21x3 SPEC. ZNT	WASHER 10x21x3	RONDELLE 10x21x3	BEILAGSSCHEIBE 10x21x3
25	4296360	TAPPO GPN 320 D.20 NERO	PLUG 320 D.20	BOUCHON 320 D.20	PFROFFEN 320 D.20
26	4399305	VITE TE 8x12 8.8 5739	SCREW 8x12	VIS 8x12	SCHRAUBE 8x12
27	4399976	DADO M 8 6S ZNT 5588	NUT M8	ECROU M8	MUTTER M8
28	4399905	VITE TE 4x12 8.8 5739	SCREW 4x12	VIS 4x12	SCHRAUBE 4x12
29	4399996	DADO M 4 6S ALTO ZNT 5587	NUT M4	ECROU M4	MUTTER M4
30	4399703	ROND. DEN.ES."A" 4,3x8x0,5	TOOTHED WASHER 4,3x8x0,5	RONDELLE DENTEE 4,3x8x0,5	ZAHNSCHEIBE 4,3x8x0,5
31	4195635	TAPPO T E 264 1/4	PLUG	BOUCHON	PFROFFEN
32	3008736	TUBO RILSAN 4x2,7 L=7400	RILSAN HOSE 4x2,7 L=7400	TUYAU RILSAN 4x2,7 L=7400	SCHLAUCH 4x2,7 L=7400
33	4198191	RACCORDO 6520 1/8"-4	UNION 1/8"	RACCORD 1/8"	ANSCHLUSS 1/8"
34	2026646	GR.CENT.ELETR. IDR. X2503 "bt"	CONTROL UNIT	UNITE DE COMMANDE	STEUERAGGREGAT



REF	CODE	DESCRIZIONE	DESCRIPTION	DESCRIPTION	BESCHREIBUNG
1	3026763	CAVALOTTO VALVOLA -			
2	4296360	TAPPO GPN 320 D.20 NERO	PLUG 320 D.20	BOUCHON 320 D.20	PFROPFEN 320 D.20
3	4399976	DADO M 8 6S ZNT 5588	NUT M8	ECROU M8	MUTTER M8
4	4198627	VALVOLA 5 VIE 228-53-32-9-1/2	5-WAY VALVE	SOUPAPE A" 5 VOIES	FUENFWEGEVENTIL
5	4198884	RACCORDO S6510 1/4"-8 S.R.	QUICK UNION 1/4"	RACCORD RAPIDE 1/4"	SCHNELLANSCHLUSS 1/4"
6	4197742	RACCORDO 6510 1/8"-4 S.RAPIDO	QUICK UNION 1/8"	RACCORD RAPIDE 1/8"	SCHNELLANSCHLUSS 1/8"
7	4195555	REGOLATORE 1/4" 6 BAR	1/4" 6 BAR ADJUSTER	REGULATEUR 1/4" 6 BAR	1/4" 6 BAR REGLER
8	3010796	TUBO ELASTOLAN D. 8x6 L=440	HOSE 8x6 L=440	TUYAU 8x6 L=440	SCHLAUCH 8x6 L=440
9	4197293	RACCORDO Y TUBO D.4	Y-UNION D.4	RACCORD EN Y D.4	Y-STUECK D.4
10	8526876	PULPITO CENTRALINA	CONTROL UNIT HOUSING	LOGEMENT UNITE' DE COMM.	STEUEREINHEITTRAGRAHMEN
11	8526884	COPERCHIO PULPITO	CONTROL UNIT FRONT COVER	PANNEAU AVANT UNITE' COMM.	STEUEREINHEIT/ORDERDECKEL
12	4199109	RACCORDO 2013 1/4" FF	UNION 1/4"	RACCORD 1/4"	ANSCHLUSS 1/4"
13	4196354	VALVOLA MVS 2901 DF 1/4"	VALVE MVS 2901 DF 1/4"	SOUPAPE MVS 2901 DF 1/4"	VENTIL MVS 2901 DF 1/4"
14	4199257	NIPPLIO IDR. 1/4"-h.7mm	NIPPLE 1/4" - h.7mm	NIPPLE 1/4" - h.7 mm.	ANSCHLUSS 1/4" - H.7 mm.
15	4399256	ROND. RAME 1/4" (13x19x1,5)	COPPER WASHER 1/4	RONDELLE EN CUIVRE 1/4"	KUPFERSCHEIBE 1/4"
16	4399889	DADO M 6 6S ZNT 5588	NUT M6	ECROU M6	MUTTER M6
17	4399996	RONDELLA 6 (6,6x12x1,6)	WASHER 6	RONDELLE 6	BEILAGSSCHEIBE 6
18	4399892	VITE TE. 6x20 8.8 5739	SCREW 6x20	VIS 6x20	SCHRAUBE 6x20
19	4395637	VITE AUTOF.TCIC 5,5x19 6954	SELF-THREADING SCREW	VIS AUTOTARADEUSE	SELBSTSCHN. SCHRAUBE
20	2010653	GR. CICALINO	BUZZER	BUZZEUR	SUMMER
21	3010794	FISCHIETTO X CICALINO	BUZZER	BUZZEUR	SUMMER
22	3010795	PARATIA X FISCHIETTO	PANEL	PANNEAU	PANNEEL
23	4197027	RIPETIT.PRESS. 1/4"(X CICALINO)4,2B.	PRESSURE REPEATER 1/4"	REPETITEUR DE PRESSION 1/4"	DRUCKWIEDERHOLER 1/4"
24	4197703	REGOLATORE FLUSSO RFU 4-M5+R	FLOW REGULATOR	REGULATEUR DE DEBIT	DURCHFLOSSREGLER
25	4399078	VITE TE 4x50 8.8 5739	SCREW 4x50	VIS 4x50	SCHRAUBE 4x50
26	4398723	VITE TE 6x12 8.8 5739	SCREW 6x12	VIS 6x12	SCHRAUBE 6x12
27	4398848	RONDELLA 6 (6,6x18x1,5)	WASHER 6	RONDELLE 6	BEILAGSSCHEIBE 6
28	4398896	VITE TE 4x35 8.8 P.F. 5737	SCREW 4x35	VIS 4x35	SCHRAUBE 4x35
29	4399996	DADO M 4 6S ALTO ZNT 5587	NUT M4	ECROU M4	MUTTER M4
30	4399903	RONDELLA 4 (4,5x12x1,5)ZNT6593	WASHER 4	RONDELLE 4	BEILAGSSCHEIBE 4
31	6610796	SUPPORTO CICALINO PNEUM.-NERO	SUPPORT	SUPPORT	STUETZE
32	4197742	RACCORDO 6510 1/8"-4 S.RAPIDO	QUICK UNION 1/8"	RACCORD RAPIDE 1/8"	SCHNELLANSCHLUSS 1/8"
33	4197026	RACCORDO 6520 1/4"-4	UNION 1/4"	RACCORD 1/4"	ANSCHLUSS 1/4"
34	3014787	TUBO RILSAN 4x2,7 L=400	RILSAN HOSE 4x2,7 L=400	TUYAU RILSAN 4x2,7 L=400	SCHLAUCH 4x2,7 L=400
35	3005472	TUBO RILSAN 4x2,7 L=120	RILSAN HOSE 4x2,7 L=120	TUYAU RILSAN 4x2,7 L=120	SCHLAUCH 4x2,7 L=120
36	3007990	TUBO RILSAN 4x2,7 L=220	RILSAN HOSE 4x2,7 L=220	TUYAU RILSAN 4x2,7 L=220	SCHLAUCH 4x2,7 L=220
37	4198954	RACCORDO 6512 1/8"-8	QUICK UNION 1/8"	RACCORD RAPIDE 1/8"	SCHNELLANSCHLUSS 1/8"
38	2026811	GR.CENTR.COMANDI PNEUMATICI	PNEUMATIC CONTROL UNIT	UNITE DE COMMANDE PNEUM.	DRUCKLUFTSTEUERUNGEN