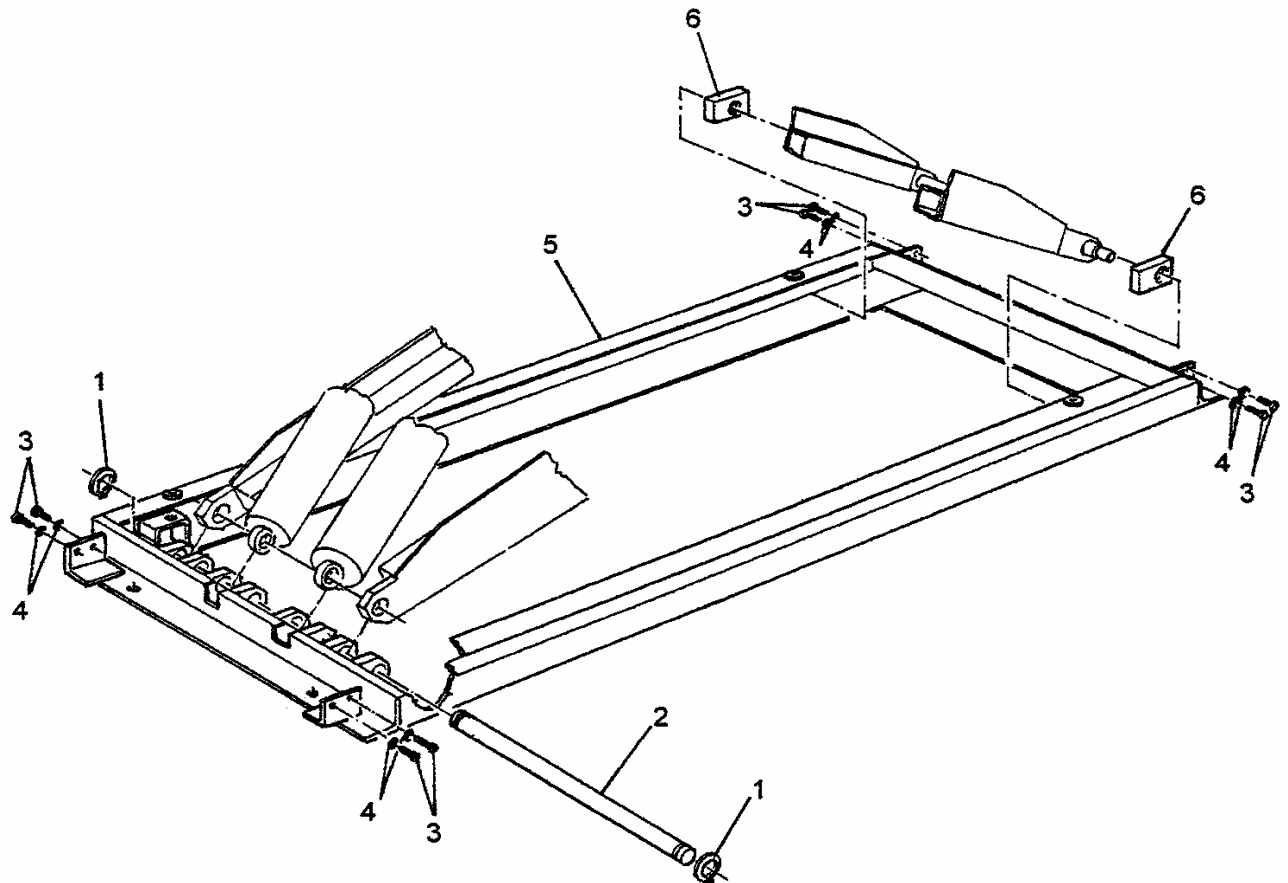
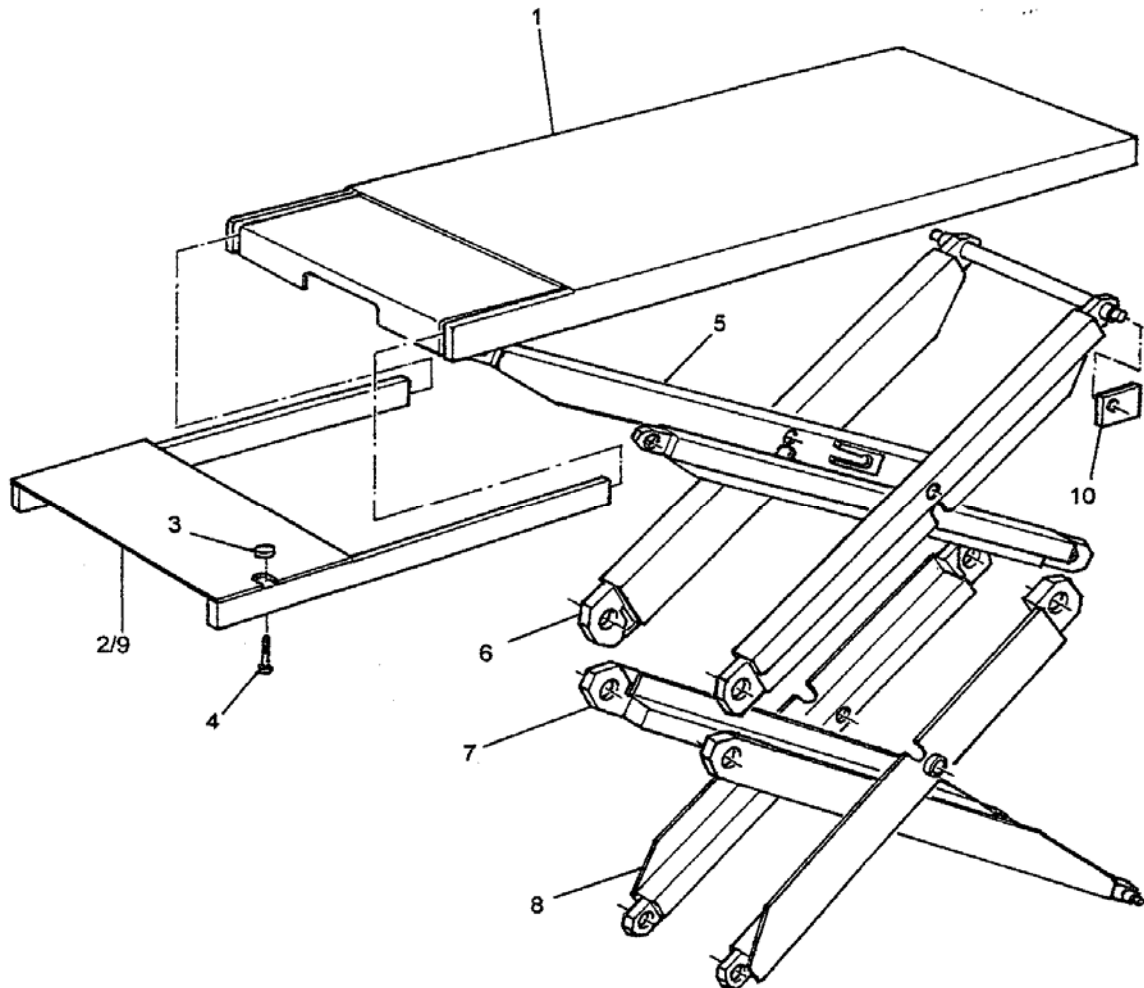


ASLP-3005



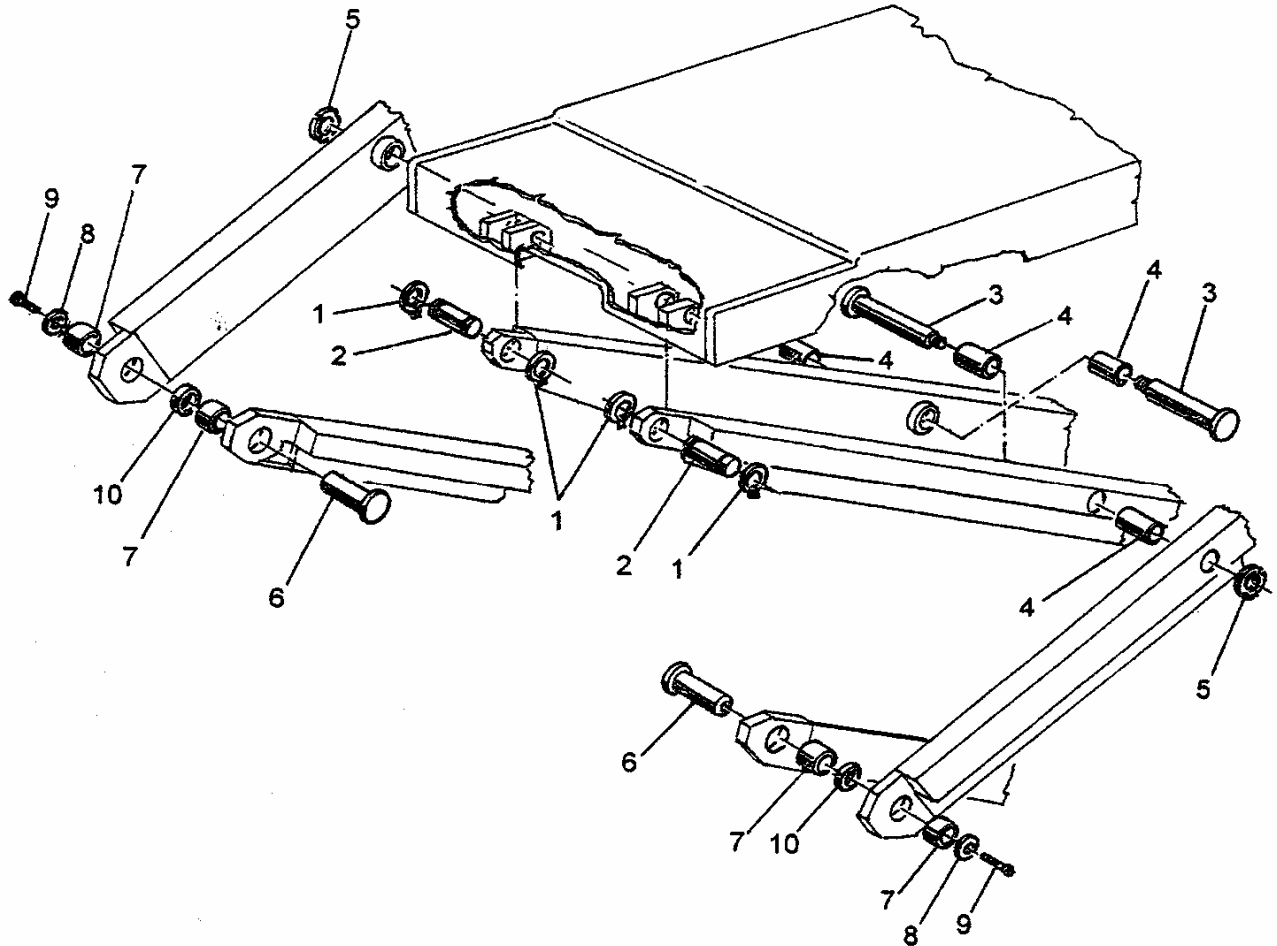
POS	BESTEL NUMMER ORDER NUMBER BESTELLUNGSNUM	DESCRIPTION	BESCHREIBUNG	OMSCHRIJVING
1	FRD471M30	SEEGER		SEEGER
2	OS20-0065	BASE FIXING PIN		BEVEST.PEN CILINDER
3	FSD912M6X16	SCREW		SCHROEF
4	FRD125M6	WASHER		RING
5	OS10-220	BASE		GRONDFRAME
6	OS10-225	BASE SLIDING PLATE		GELEIDINGBLOK GRONDFR

ASLP-3005



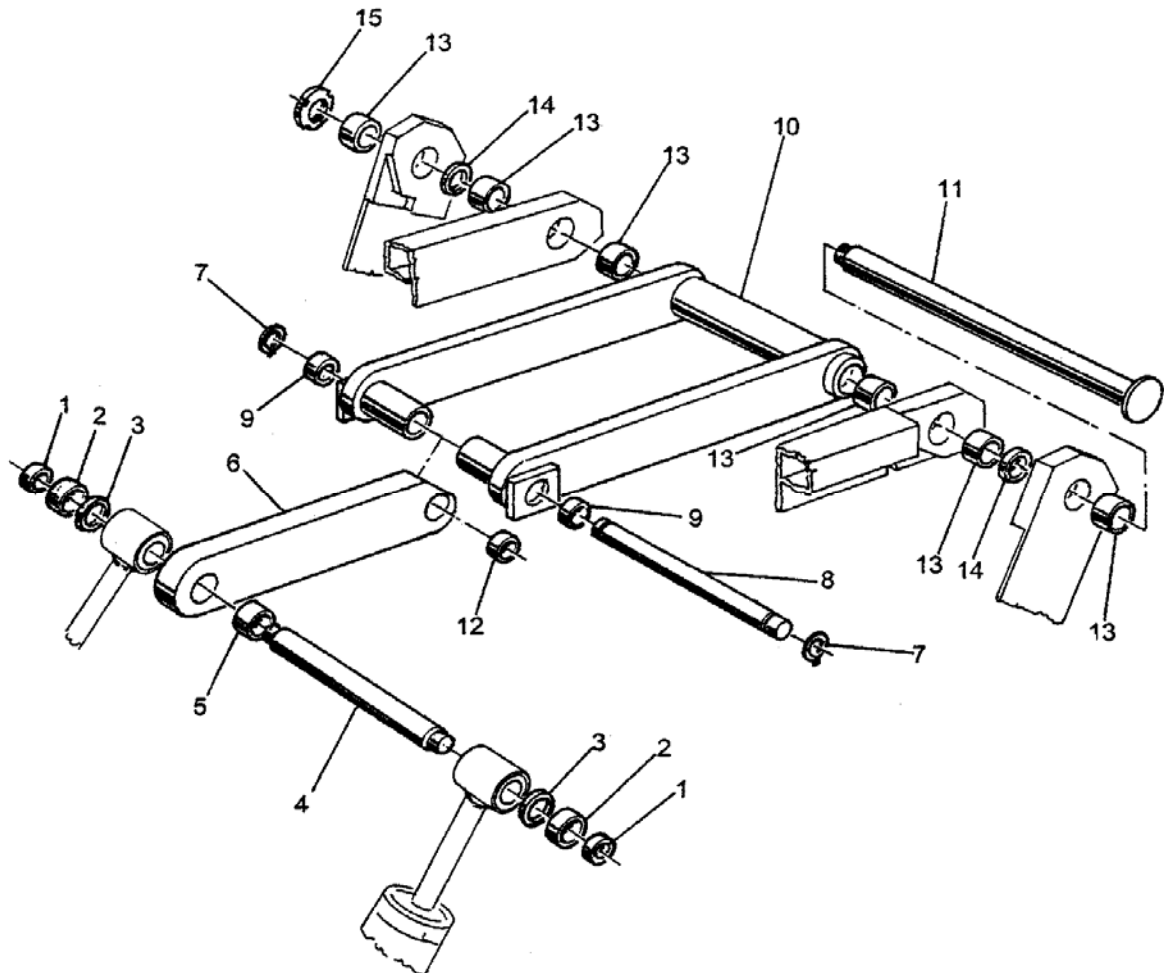
POS	BESTEL NUMMER ORDER NUMMER BESTELLUNGSNUM	DESCRIPTION	BESCHREIBUNG	OMSCHRIJVING
1	OS10-221	RUNWAY		OPNAMETAFEL
2	OS10-222	EXTENSION P2		VERLENGSTUK OPN.TAF.P1
3	OS20-0137	KNOB FOR EXTENSION		KNOP VOOR VERLENGING
4	OS20-0142	SCREW FOR KNOB		BOUT VOOR VERLENGSTUK
5	OS10-342	INTERNAL UPPER ARM		SCHAARBEEN INTERN BOVEN
6	OS10-343	EXTERNAL UPPER ARM		SCHAARBEEN EXTERN BOVEN
7	OS10-340	INTERNAL LOWER ARM		SCHAARBEEN INT.BENEDEN
8	OS10-341	EXTERNAL LOWER ARM		SCHAARBEEN EXTERN BENEDEN
9	OS10-370	EXTENSION P2		VERLENGSTUK OPN.TAF.P2
10	OS10-226	RUNWAY SLIDING PLATE		GELEIDINGSBLOK OPN.TAF

ASLP-3005



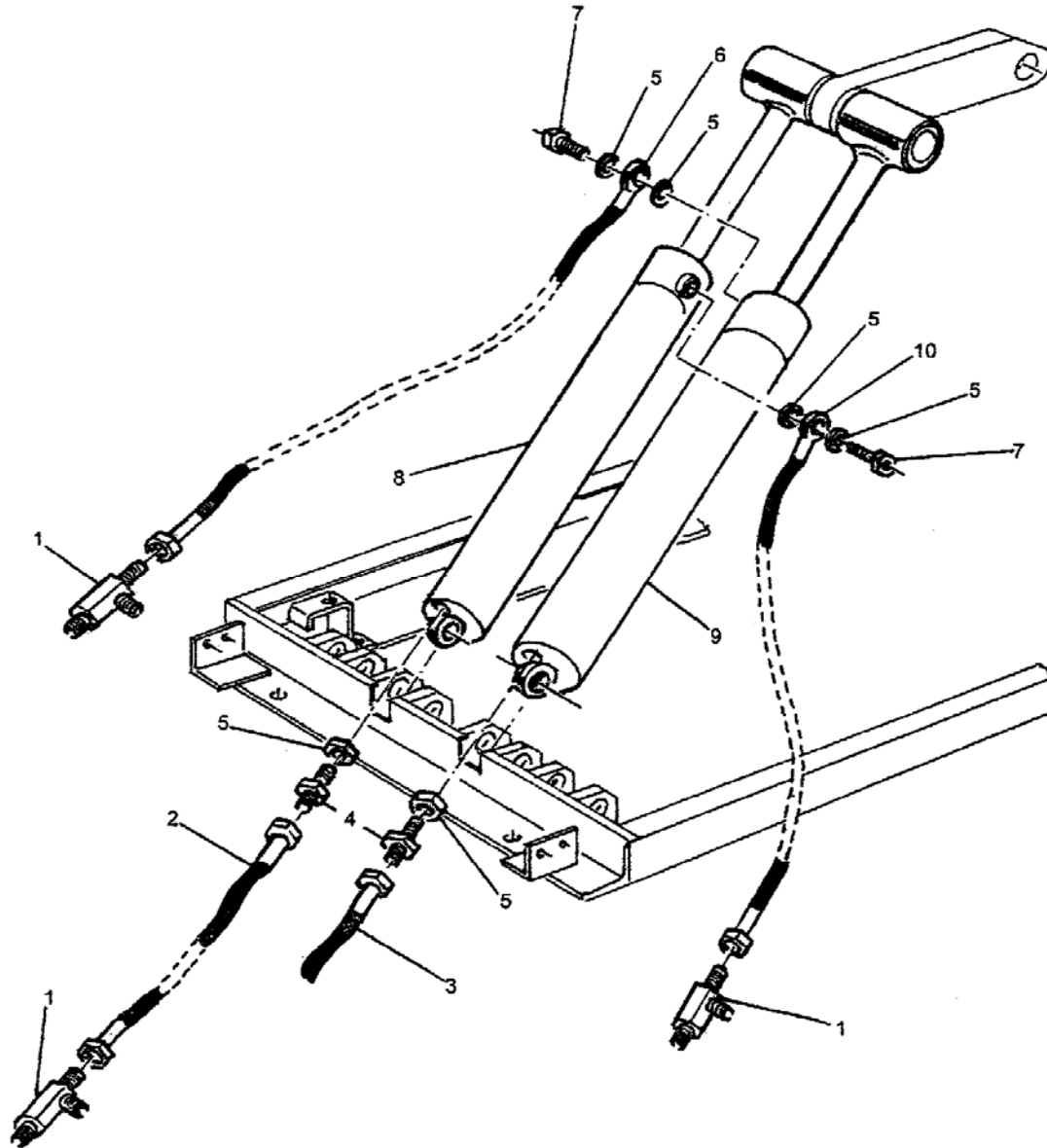
POS	BESTEL NUMMER ORDER NUMMER BESTELLINGSNUM	DESCRIPTION	BESCHREIBUNG	OMSCHRIJVING
1	FRD471M25	SEEGER		SEEGER
2	OS20-0080	RUNWAY FIXING PIN		BEVEST.PEN OPNAMETAFEL
3	OS20-0111	ARMS COUPLING PIN		BEVEST.PEN SCHAARBEEN
4	OS30-0253	SELF-LUBR.BUSHING		ZELFSMERENDE BUS 25X60
5	FND985M20	SELF-LOCKING NUT		BORGMOER
6	OS20-0112	ARMS FIXING PIN		BEVEST.PEN SCHAARBEEN
7	OS30-0160	SELF-LUBR.BUSHING		ZELFSMERENDE BUS 30X30
8	OS20-0143	WASHER D40x5		AFSTANDSRING40X5
9	FSD7991M8X25	SCREW		SCHROEF
10	OS40-0222	FIFHT WHEEL 32X1.5		LOOPBUS 32X1,5

ASLP-3005



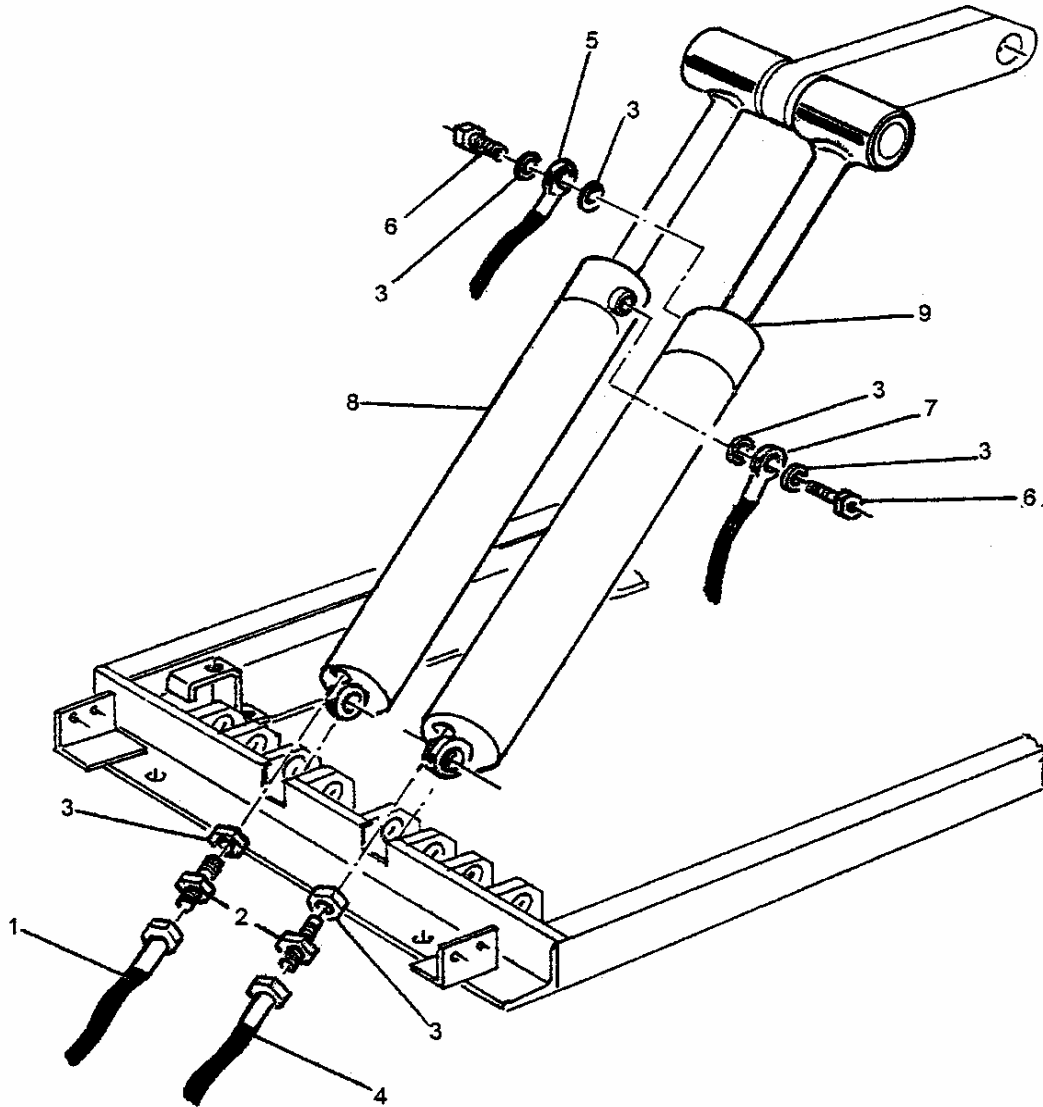
POS	BESTEL NUMMER ORDER NUMMER BESTELLINGSNUM	DESCRIPTION	BESCHREIBUNG	OMSCHRIJVING
1	OS30-0223	SELF-LUBR.BUSHING		ZELFSMERENDE BUS 20X20
2	OS20-0113	LEVER GUIDE ROLLER		GELEIDINGSROL
3	OS30-0244	SPACER		AFSTANDSRING 30X45X2
4	OS20-0063	CYLINDER FIXING PIN		BEVEST.PEN CILINDER
5	OS30-0256	SELF-LUBR.BUSHING		ZELFSMERENDE BUS 25X40
6	OS20-0117	LEVER		EXCENTER
7	FRD471M25	SEEGER		SEEGER
8	OS20-0110	FIXING LEVER PIN		BEVEST.PEN EXCENTER
9	OS30-0031	SELF-LUBR.BUSHING		ZELFSMERENDE BUS 25X30
10	OS20-0118	LEVER SUPPORT		EXENTER SUPPORT
11	OS20-0114	COUPLING LEVERS FIX		BEVEST.PEN EXC.SUPPORT
12	OS30-0030	SELF-LUBR.BUSHING		ZELFSMERENDE BUS 30X40
13	OS30-0160	SELF-LUBR.BUSHING		ZELFSMERENDE BUS 30X30
14	OS40-0222	FIFHT WHEEL 32X1.5		LOOPWIEL 32X1,5
15	OS30-0021	SELF-LOCKING NUT		BORGMOER M 25X1,5

ASLP-3005



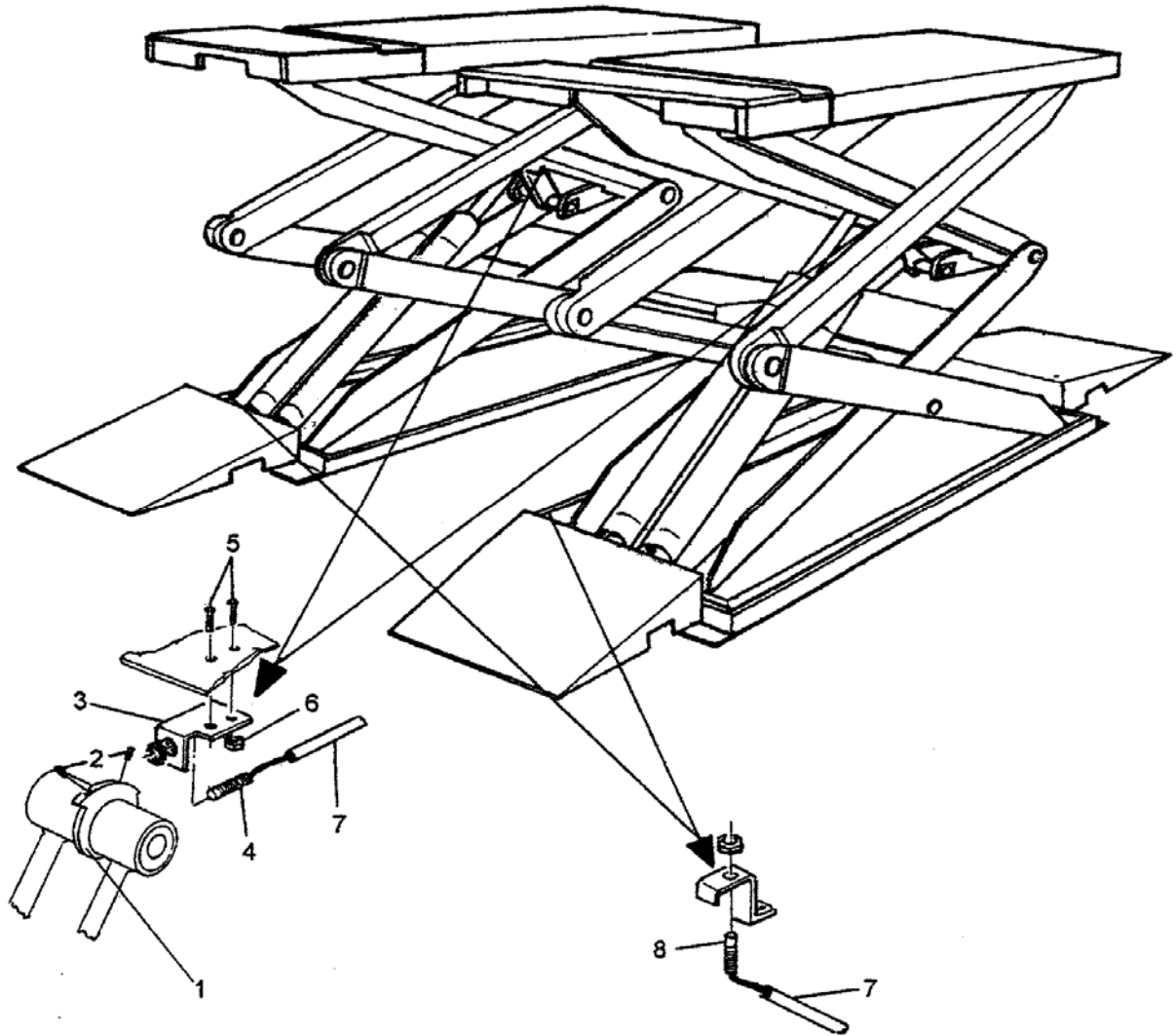
POS	BESTEL NUMMER ORDER NUMMER BESTELLINGSNUM	DESCRIPTION	BESCHREIBUNG	OMSCHRIJVING
1	OS40-0332	*T*CONNECTION		HYDR.T STUK 1/4"
2	OS00-40028	HOSE R2 AT 1/4" L=200 MM		HYDR.SLANG 200MM X 1/4"
3	OS00-40035	HOSE R2 AT 1/4" L=3920 MM		HYDR.SLANG 3920MM X 1/4"
4	OS40-0148	NIPPLES 1/4"		HYDR.NIPPEL 1/4"
5	OS40-0019	COPPER WASHER 1/4"		HYDR.KOPEREN-OPVULRING 1/4"
6	OS00-40033	HOSE R1 AT 1/4" L=870 MM		HYDR.SLANG 870MM X 1/4"
7	OS40-0004	HOLED BOLT		HYDR.BANJOBOUT 1/4"
8	OS40-0309	CYLINDER 60/36P2		CILINDER P2 (60/36)
9	OS40-0308	CYLINDER P1		CILINDER P1 (70/36)
10	OS00-40029	HOSE R2 AT 1/4" L=870 MM		HYDR.SLANG 870MM X 1/4"

ASLP-3005



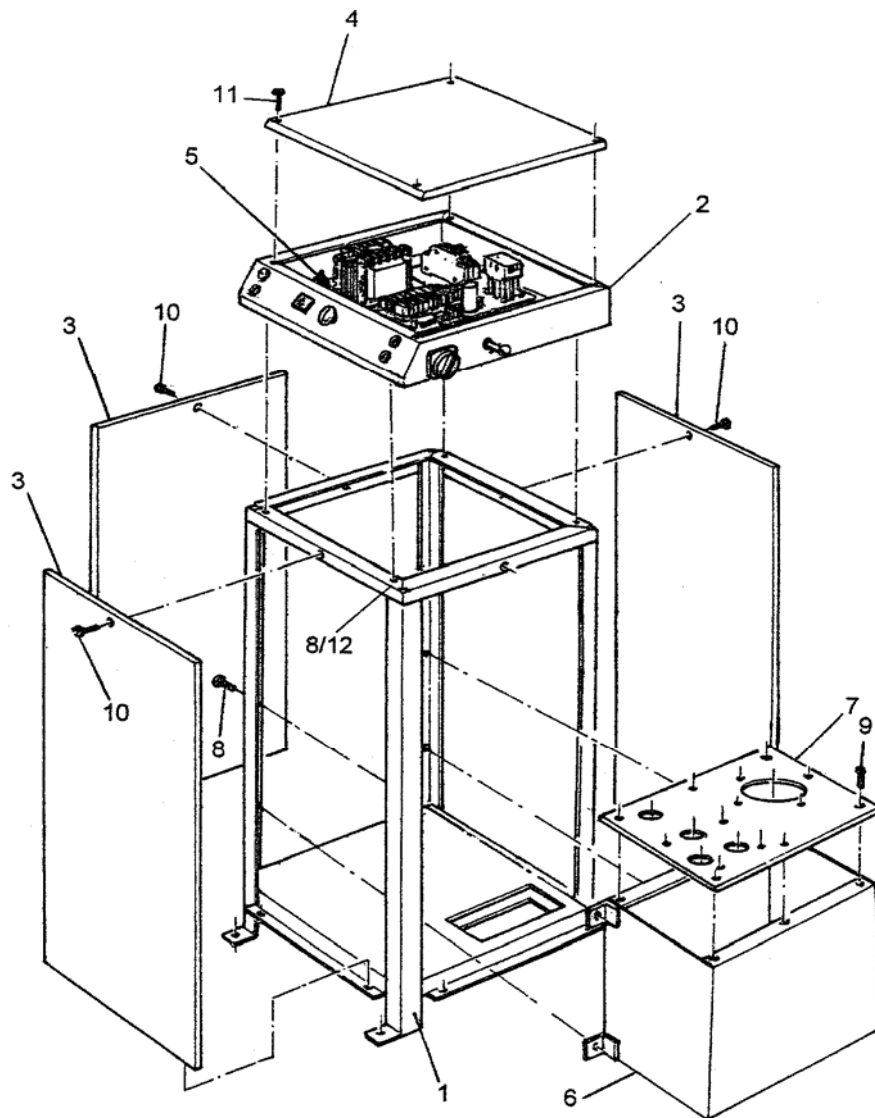
POS	BESTEL NUMMER ORDER NUMBER BESTELLUNGSNUM	DESCRIPTION	BESCHREIBUNG	OMSCHRIJVING
1	OS00-40030	HOSE R2 AT ¼" L=1600 MM		HYDR.SLANG 1600MM ¼"
2	OS40-0148	NIPPLES MM ¼"		HYDR.NIPPEL
3	OS40-0019	COPPER WASHER ¼"		HYDR.KOPEREN-OPVULRING ¼"
4	OS00-40032	HOSE R2 AT ¼" L=5450 MM		HYDR.SLANG 5450MM ¼"
5	OS00-40034	HOSE R1 AT ¼" L=2400 MM		HYDR.SLANG 2400MM ¼"
6	OS40-0004	HOLED BOLT ¼"		HYDR.BANJOBOUT ¼"
7	OS00-40031	HOSE R2 AT ¼" L=2350 MM		HYDR.SLANG 2350MM ¼"
8	OS40-0309	CYLINDER 60/36 P2		CILINDER P2 (60/36)
9	OS40-0308	CYLINDER P1		CILINDER P1 (70/36)

ASLP-3005



POS	BESTEL NUMMER ORDER NUMMER BESTELLUNGSNUM	DESCRIPTION	BESCHREIBUNG	OMSCHRIJVING
1	OS10-205	CAM		MEENEMER
2	FSD913M5X10	DOWEL		INBUSSCHROEF
3	OS10-047	SENSOR BRACKET		SENSOR HOUDER
4	OS61-0050	LIMIT SWITCH NC 8 mt		EINSCHAKELAAR 8mt/NC
5	FS7380M6X12	SCREW		SCHROEF
6	FND934M6	NUT		MOER
7	TILS6X4/1000	BLUE AIR HOSE 6X4		BLAUWE LUCHTSLANG 6X4
8	OS60-0362	LIMIT SWITCH NO 6 mt		EINSCHAKELAAR 6mt/NO
9	OS10-388	RAMP		OPRIJPLAAT

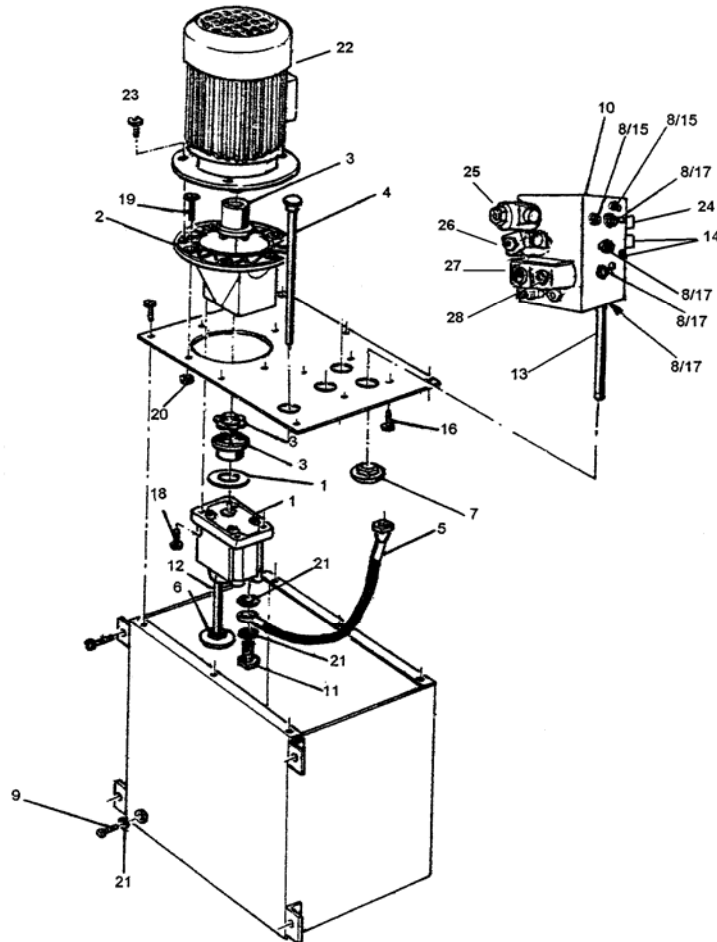
ASLP-3005



POS	BESTEL NUMMER ORDER NUMMER BESTELLUNGSNUM	DESCRIPTION	BESCHREIBUNG	OMSCHRIJVING
1	OS10-200	POWER UNIT FRAME		RAAMWERK BED.KAST
2	OS10-201	POWER UNIT HEAD		FRAME KOP BED.KAST
3	OS10-202	SIDE PANEL		ZIJPANEEL BED.KAST
4	OS10-203	COVER HEAD		AFDEKPLAAT BED.KAST
5	OS10-364	PLATE		MONTAGEPLAAT ELEK.SCH.
6	OS10-254	OIL TANK		OLIE RESERVOIR (KAAL)
7	OS10-261	TANK COVER		DEKSEL (OLIE RESERVOIR)
8	FSD912M6X20	SCREW		SCHROEF
9	FS7380M6X16	SCREW		SCHROEF
10	FS7380M6X30	SCREW		SCHROEF
11	FSD7981M4,2X13	SCREW		SCHROEF
12	FND934M6	NUT		MOER

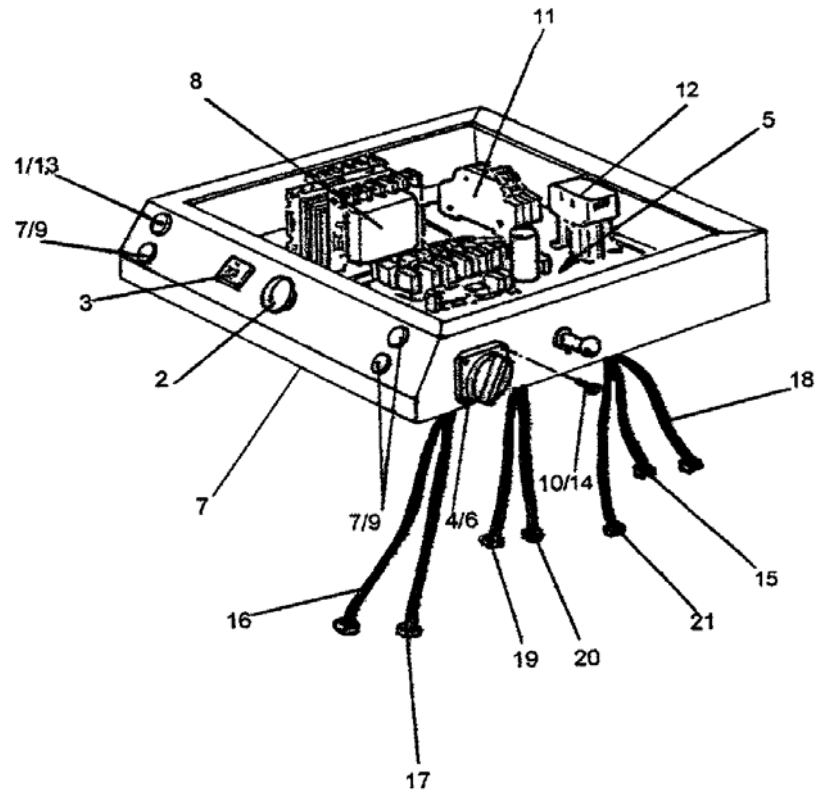


ASLP-3005



POS	BESTEL NUMMER ORDER NUMBER BESTELLUNGSNUM	DESCRIPTION	BESCHREIBUNG	OMSCHRIJVING
1	OS40-0193	HYDRAULIC PUMP AP 100/5		HYDR.POMP CPL.AP100/5
2	OS40-0239	PUMP SPIDER LSE 210		FLENS LSE 201 (OLIEPOMP)
3	OS40-0240	HALF JOINT		MEENEMER VAN OLIEPOMP
4	OS40-0021	DIPSTICK		OLIEPEILSTOK
5	OS00-40009	HOSE R2 3/8" L=300 MM		HYDR.SLANG R2T 300X3/8"
6	OS40-0027	FILTER 3/8"		FILTER 3/8"
7	OS40-0080	FILTER 1/4"		FILTER 1/4"
8	OS40-0019	COPPER WASHER 1/4"		HYDR.KOPEREN-OPVULRING 1/4"
9	OS40-0060	TANK PLUG 3/8"		AFTAPPLUG 3/8"
10	OS40-0348	HYDR CONTROL UNIT		HYDR.CONTROL UNIT
11	OS40-0006	HOLED BOLT 3/8"		HYDR.BANJOBOUT 3/8"
12	OS40-0270	THREADED HOSE 3/8" L=115 MM		KUNSTSTOF PIJP 115MM 3/8"
13	OS40-0305	THREADED HOSE 1/4" L=280 MM		KUNSTSTOF PIJP 280MM 1/4"
14	OS40-0083	NUT 1/4"		MOER 1/4"
15	OS40-0148	NIPLES M/M 1/4"		HYDR.NIPPEL 1/4"
16	FSD912M8X16	SREW		SCHROEF
17	OS40-0012	NIPLES M/M 1/4-3/8"		HYDR.NIPPEL 1/4"-3/8"
18	FSD912M6X30	SCREW		SCHROEF
19	FSD912M10X20	SCREW		SCHROEF
20	FND985M10	SELF-LOCKING NUT		BORGMOER
21	OS40-0020	COPPER WASHER 3/8"		HYDR.KOPEREN-OPVULRING 3/8"
22	OS60-0096	MOTOR		ELEK.MOTOR 3PhG90L4S3
23	FSD912M10X20	SCREW		SCHROEF
24		ADJ.LOWERING SOLNOID V,2		
25		DISCHARGE SOLENOID VALVE 1		
26		DISCHARGE SOLENOID VALVE 2		
27		LEVELLING SOLENOID VALVE 1		
28		LEVELLING SOLENOID VALVE 2		

ASLP-3005



POS	BESTEL NUMMER ORDER NUMMER BESTELLUNGSNUM	DESCRIPTION	BESCHREIBUNG	OMSCHRIJVING
1	OS60-0265	LAMP HOLDER (GREEN)		LAMPHOUDER ( GROEN)
2	OS60-0116	EMERGENCY PUSH BUTTON		NOOD-STOP KNOP
3	OS60-0098	BEEPER		DAALZOEMER 24V
4	OS60-0069	FINISHING		BUITENWERK HFD.SCHAKELAAR
5	OS61-0107	ELECTRIC BOARD TO1		PRINTCIRCUITBOARD TO1
6	OS61-0001	DISCONNECTOR WHIT CABLE		BINNENWERK HFD.SCHAKELAAR
7	OS60-0114	NEUTRAL PUSH BUTTON		DRUKKNOP
8	OS60-0141	TRANSFORMER 100 VA		TRANSFORMATOR 100VA
9	OS60-0243	BUTTON WITH ARROW		DRUKKNOP MET BESCHERMKAP
10	FSD7985M4X20	SCREW		SCHROEF
11	OS60-0324	FUSE CARRIER		ZEKERINGHOUDER
12	OS60-0058	CONTACTOR AC		MAGNEETSCHAKELAAR 3KW
13	OS60-0093	LAMP 30V 2W		LAMP 30V 2W
14	FND934M4	NUT		MOER
15	OS61-0003	ELECTRIC MOTOR CABLE		ELEC.KABEL MOTOR/MAGN.SCH
16	OS61-0004	1°LEVELLING ELECTRIC CAB		ELEK.KABEL SYNCH.SENSOR P1
17	OS61-0005	2°LEVELLING ELECTRIC CAB.		ELEK.KABEL SYNCH.SENSOR P2
18	OS61-0006	1°DISCHARGED ELECTRIC CAB.		ELEK.KABEL ZAKVENTIEL 1
19	OS61-0007	2°DISCHARGED ELECTRIC CAB.		ELEK.KABEL ZAKVENTIEL 2
20	OS61-0008	1° ADJ. LOWERING EL. CABLE		ELEK.KABEL SYNCH.VENTIEL 1
21	OS61-0009	2° ADJ. LOWERING EL. CABLE		ELEK.KABEL SYNCH.VENTIEL 2