

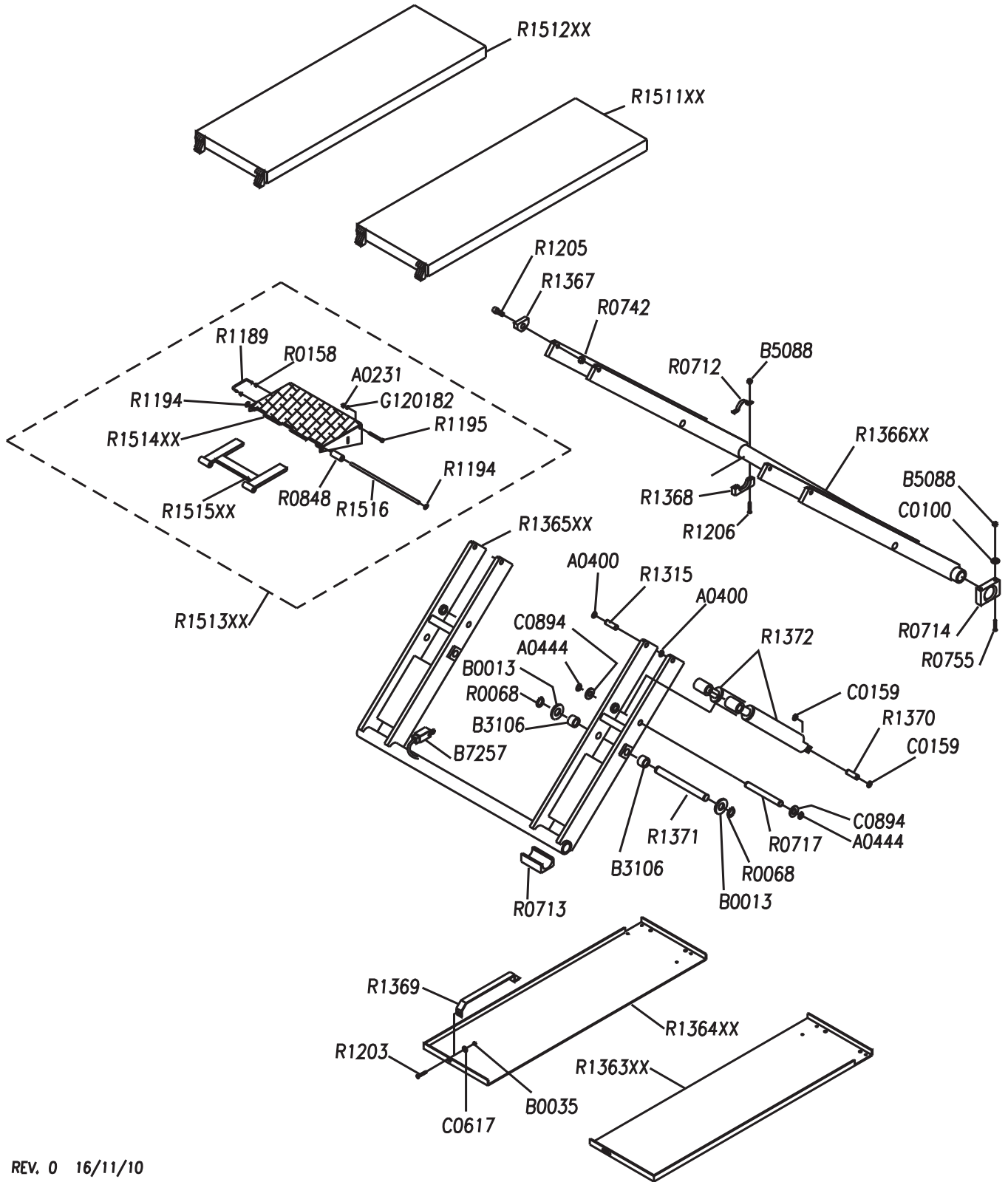
# ESPLOSO SOLLEVATORE

EXPLODED VIEW OF THE LIFT

EXPLOSIONSZEICHNUNG HEBEBÜNNE

VUE ÉCLATÉE - ÉLÉVATEUR

DESPIECE ELEVADOR



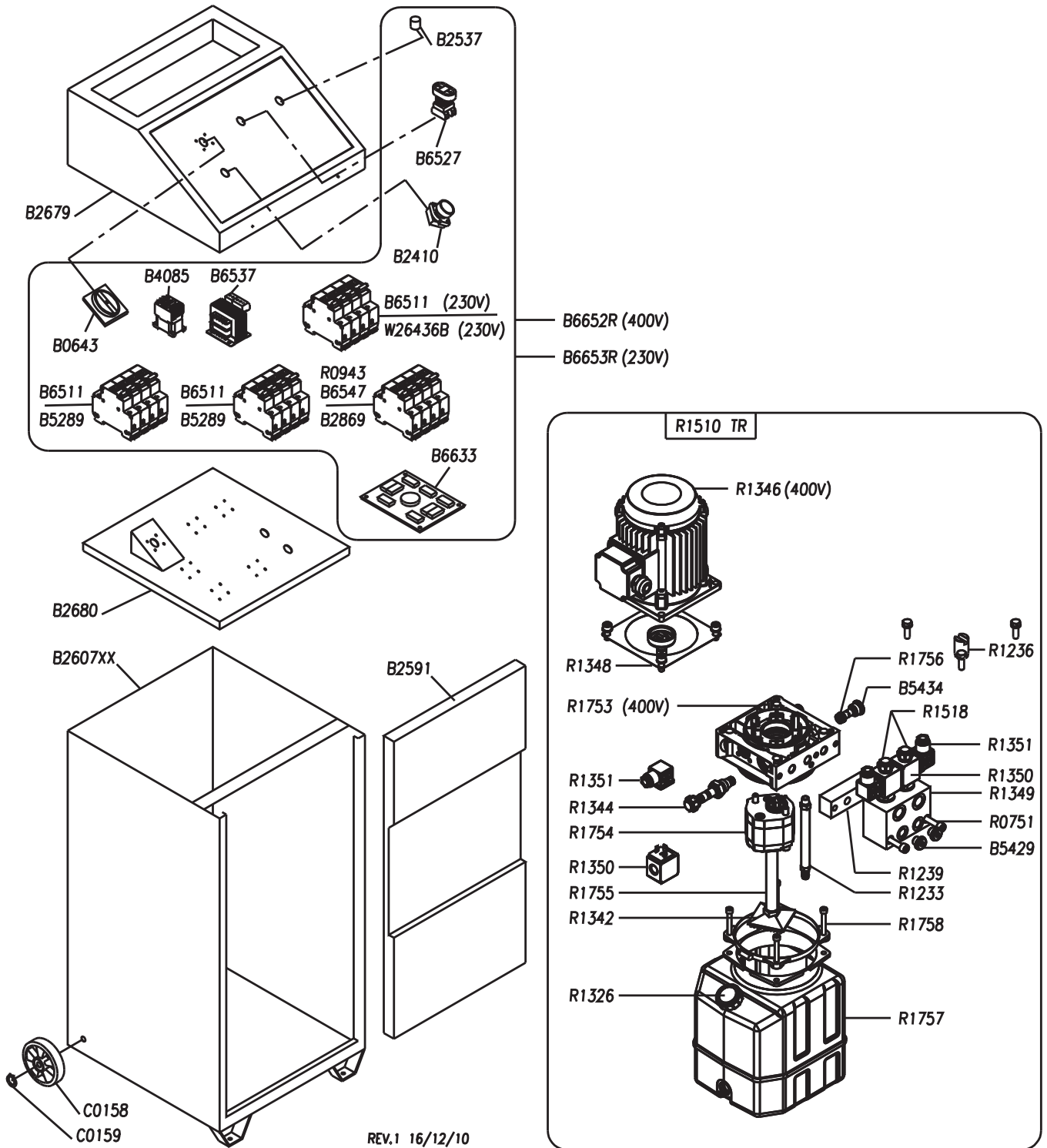
# CENTRALINA

CONTROL UNIT

SCHALTGEHÄUSE

CENTRALE

CENTRALITA HIDRÁULICA



REV.1 16/12/10

Part Code	Sugg	Descrizione	Description	Beschreibung	Description	Denominacion
A0231		DADO ALTO M10 6S UNI 5587 ZB	NUT M10	MUTTER M10	ECROU HAUT M10 6S UNI 5587 ZB	TUERCA ALTA M10 ZINCADA
A0400		SEEGER E20 UNI 7435	SNAP RING E20 UNI 7435	SEEGER-RING E20 UNI 7435	CIRCLIPS E 20 UNI 7435	SEEGER E20 UNI 7435
A0444		SEEGER E25 UNI 7435	SEEGER E25 UNI 7435	SEEGER E25 UNI 7435	ANNEAU ÉLASTIQUE ØE 25	ARO ELÁSTICO ØE 25
A4070		RACCORDO "L" GIREVOLE M 1/8X6	ROTATING "L" CONNECTION M 1/8X6	"L"-ANSCHLUSS M 1/8X6	RACCORD EN "L" M 1/8X6	UNIÓN "L" MACHO G 1/8" - TUBO Ø6
B0013		RONDELLA Ø30X60 UNI 6592	WASHER Ø30X60 UNI 6592	UNTERLEGSSCHEIBE Ø30X60 UNI 6592	RONDELLE Ø30X60 UNI 6592	ARANDELA Ø30X60 UNI 6592
B0035		DADO M6 UNI 5587	NUT M6 UNI 5587	MUTTER M6 UNI 5587	ÉCROU M6 UNI 5587	TUERCA ALTA M6 ZINCADA
B0643	*	INTERRUTTORE GENERALE 230/400	MASTER SWITCH 230/400	SCHALTER 230/400	INTERRUPTEUR GÉNÉRAL	INTERRUPTOR GENERAL
B2410	*	LAMPADA BIANCA 24V MM25	WHITE LAMP 24V	KONTROLLEUCHTE 24V	LAMPE POUR VOYANT LUMINEUX 24V	LAMPARA DE SEÑALIZACION 24V
B2537		BUZER 24VAC	BUZER 24VAC	BUZER 24VAC	BUZER 24VAC	BUZER 24VAC
B2591		SPORTELLLO ANTERIORE ARMADIO	CABINET FRONT DOOR	VORDERE SCHRANKTÜR	VOLET ANTERIEUR ARMOIRE	PUERTA ANTERIOR ARMARIO
B2607XX		ARMADIETTO	CABINET	SCHRANK	ARMOIRE	CAJÓN
B2679		PLANCIA COMANDO CENTRALINE '10	CONTROL PANEL	INSTRUMENTENTAFEL	PANNEAU FRONTAL	TABLERO DE MANDOS
B2680		SUPPORTO COMP.ELETR.CENTR.'10	SUPPORT ELECTRICAL COMPONENTS	UNTERSTÜTZUNG ELEKTRISCHEN KOMPONENTEN	SOUTIEN COMPOSANTS ÉLECTRIQUES	APOYO COMPONENTES ELÉCTRICOS
B2869	*	FUSIBILE 10X38 10A	FUSE 10X38 10A	SCHMELZSICHERUNG 10X38 10A	FUSIBLE 10X38 10A	FUSIBILE
B3106		BOCCOLA AUTOLUBR.30X34X30	SELF-LUBRICATING BUSHING Ø30X34X30	SELBSTSCHMIERENDE BUCHSE D 30X34X30	DOUILLE AUTOLUBRIFIANTE Ø30X34X30	CASQUILLO AUTOLUBRIC. DIAM. 30X34X30
B4085		TELERUTTORE NO-4KW 24VCC MIG SAT45	CONTACTOR	FERNSCHALTER	TÉLÉRUPTEUR	CONTACTO
B5053	*	VITE FORATA 1/4	SCREW 1/4	SCHRAUBE 1/4"	BOUCHON RENIFLARD 1/4"	TORNILLO CON ORIFICIO 1/4"
B5088		DADO BLOK M8 UNI 7474	NUT M8 UNI 7474	MUTTER BLOCK. M8 UNI 7474	ECROU FREIN M8 UNI 7474	TUERCA AUTOBLOCANTE M8 UNI 7474
B5289	*	FUSIBILE 10X38 1A AM	FUSE 10X38 1A AM	SCHMELZSICHERUNG 10X38 1A AM	FUSIBLE 10X38 1A AM	FUSIBILE 10X38 1A AM
B5429		TAPPO DIN 908 1/4+RONDELL.RAME	PLUG	DECKEL	BOUCHON	TAPÓN
B5434		TAPPO TC4 X VALV.3/4"-16UNF	PLUG	DECKEL	BOUCHON	TAPÓN
B6511		PORTAFUSIBILE 10X38 WIMEX PCH1	FUSE HOUSING 10X38 WIMEX PCH10X38	SCHMELZSICHERUNGHALTER	PORTE-FUSIBLE 10X38 WIMEX PCH 10X38	PORTAFUSIBLES 10X38 WIMEX PCH1
B6527	*	PULSANTE DOPPIO+ELEMENTO DI CONTATTO	TWIN PUSH BUTTON WITH CONTACT	DOPPLER KNOPF+KONTAKTGEBER TYP ERSCE 50052+52080	POUSSOIR DOUBLE ERSCE 50052+52080	PULSADOR DOBLE CON CONTACTO TIPO ERSCE 50052+52080
B6537	*	TRASFORMATORE 0-220-380 0-24V 50VA +/-10%	TRANSFORMER 0-230-400 0-24V 50VA	TRANSFORMATOR 0-220-380 0-24V 50VA +/-10%	TRANSFORMATEUR 0-220-380 0-24V 50VA +/-10%	TRANSFORMADOR 0-220-380 0-24V 50VA +/-10%
B6547		PORTAFUSIBILE TRIPOLARE 10X38	FUSE HOUSING	SICHERUNGSHALTER	PORTE-FUSIBLE	PORTAFUSIBILE
B6633		SCHEDA EL.EK20 SRM-S39-PCB	ELECTRIC BOARD	ELEKTROKARTE	CARTE ELECTRIQUE	PLACA ELECTRONICA
B6652R		QUADRO 400/50T 263/09	ELECTRIC BOX ASSEMBLY THREE-PHASE	KOMPLETTE STEUERTAFEL DREHSTROM	COFFRET ÉLECTRIQUE TRIPHASÉ COMPLET	CUADRO ELÉCTRICO
B6653R		QUADRO 230/50M 263/09	ELECTRIC CONTROL BOX ASSEMBLY SINGLE-PHASE	KOMPLETTE STEUERTAFEL EINPHASENSTROM	COFFRET ÉLECTRIQUE MONOPHASÉ COMPLET	CUADRO ELÉCTRICO
B7257		MICROINTER.SIC.CAB.M12 FF4531-	MICROSWITCH	MIKROSCHALTER	CONTACT	MICROINTERRUPTOR
C0051		TUBO RILSAN Ø4/6	RYLSAN HOSEØ4/6	SCHLAUCH 6X4	TUYAU RILSAN D.6X4	TUBO RILSAN Ø6X4
C0100		RONDELLA Ø8,4X17 UNI 6592	WASHER Ø8,4X17 UNI 6592	SCHLEIBE Ø8,4X17 UNI 6592	RONDELLE Ø8,4X17 UNI 6592	ARANDELA Ø8 ZINCADA

C0158		RUOTA GOMMATA D 125 FORO 15	RUBBER WHEEL D 125 HOLE 15	GUMMI RAD D 125, BOHRUNG 15	ROUE CAOUTCHOUC D125 TROU 15	RUEDA DE GOMA D 125 AGUJERO 15
C0159		ANELLO SEEGER E15 UNI 7435	SEEGER E15 UNI 7435	SEEGER-RING E15 UNI 7435	BAGUE EXTÉRIEUR Ø15	ARO ELÁSTICO ØE 15 UNI 7435
C0617		RONDELLA Ø6,4X12,5 UNI 6592	WASHER Ø6,4X12,5 UNI 6592	SCHEIBE Ø6,4X12,5 UNI 6592	RONDELLE Ø6,4X12,5 UNI 6592	ARANDELA Ø6,4X12,5 UNI6592
C0630		RONDELLA IN RAME Ø14X20	COPPER WASHER Ø14X20	MUTTER M10 UNI 5588	ECROU M10 UNI 5588	TUERCA
C0894		RONDELLA P 25X44 UNI 6592 ZB	WASHER P 25X44 UNI 6592 ZB	SCHEIBE 25X44 UNI 6592 ZB	RONDELLE P 25X44 UNI 6592 ZB	ARANDELA P 25X44 UNI 6592 ZB
G120182		RONDELLA GROVER D 10 GAMMA	WASHER D10	SCHEIBE D10	RONDELLE D10	ARANDELA D10
R0068		SEEGER E30 UNI 7435	SNAP RING E30 UNI 7435	SEEGER E30 UNI 7435	ANNEAU DE FIXAGE E30 UNI 7435	SEEGER E30 UNI 7435
R0158		DADO MEDIO M 8 6S UNI 5588 ZB	NUT M8	MUTTER M8	ECROU M8	TUERCA M8 UNI 5588
R0712	*	SUPPORTO SUPERIORE BRACCIO CERNIERA	ARM HINGE UPPER SUPPORT	HALTER OBERE UNTERSTUETZUNG	SUPPORT SUPERIEUR BRAS CHARNIERE	SOPORTE SUPERIOR BRAZO CREMALLERA
R0713	*	PATTINO INFERIORE BRACCIO CERNIERA	HINGE ARM LOWER SLIDE PAD	AUFHAENGUNG UNTERER GLEITER	PATIN INFERIEUR BRAS CHARNIERE	PATÍN INFERIOR BRAZO CREMALLERA
R0714	*	SUPPORTO COMPLETO BRACCIO CERNIERA	HINGE ARM COMPLETE SUPPORT	LAGERBOCK UNTERER TRAVERSE	SUPPORT COMPLET BRAS CHARNIERE	SOPORTE COMPLETO BRAZO CREMALLERA
R0717		PERNO ATTACCO CILINDRO	CYLINDER ATTACHMENT PIN	ZYLINDER HALTEBOLZEN	AXE FIXATION VERIN	PERNO CONEXIÓN CILINDRO
R0742		DADO ALTO M16	HIGH NUT M16	MUTTER M16	ECROU HAUT M16	TUERCA ALTA M16
R0751		VITE TCEI 90° M8X80	SCREW TCEI 90° M8X80	SCHRAUBE TCEI 90° M8X80	VIS TCEI 90° M8X80	TORNILLO TCEI 90° M8X80
R0755		VITE TCEI 90° M8X90	SCREW TCEI 90° M8X90	SCHRAUBE TCEI 90° M8X90	VIS TCEI 90° M8X90	TORNILLO TCEI 90° M8X90
R0763		RACCORDO RAPIDO "Y" D6	QUICK "Y" CONNECTION D6	FITTING "Y" D6	RACCORD EN "Y" D6	CONEXION "Y" D6
R0821		VITE FORATA DOPPIA 1/4	HOLED SCREW	SCHRAUBE	BOUCHON RENIFLARD	TORNILLO CON ORIFICIO
R0848		RULLO RAMPA BASCULANTE	BALANCE RAMP ROLLER	FFUEHRUNGSBUCHSE	ROULEAU RAMPE BASCULANTE	RODILLO RAMPA BASCULANTE
R0943	*	FUSIBILE 5X20 4A RITARDATO*	FUSE 5X20 4A*	SCHMELZSICHERUNG 5X20 4A*	FUSIBLE 5X20 4A*	FUSIBILE 5X20 4A*
R1189		MANIGLIA RAMPA	HANDLE	HANDGRIFF	POIGNEE	ASA
R1194		SEEGER E11 UNI 7435	SEEGER RING E11 UNI 7435	SEEGER E11 UNI 7435	BAGUE E11 UNI 7435	SEEGER E11 UNI 7435
R1195		VITE TE M10X100 PF UNI 5737 ZB	SCREW TE M10X100 PF UNI 5737 ZB	SECHSKANTSCHRAUBE M10X100 PF UNI 5737 ZB	VIS TH M10X100 PF UNI 5737 ZB	TORNILLO M10X100 PF UNI 5737 ZB
R1203		VITE TSCE90ØM6X16 UNI 5933 ZB	SCREW TSPEI M6X160 UNI5933	SECHSSCHRAUBE MIT INNENSECHSKANT M6X16 UNI 5933	VIS STHC M6X16 UNI 5933	TORNILLO TSPEI M6X16
R1205		VITE TCCE M16X55 UNI5931	SCREW TCCE M16X55 UNI 5931	SCHRAUBE TCCE M16X55 UNI 5931	VIS TCCE M16X55 UNI 5931	TORNILLO TCCE M16X55 UNI 5931
R1206		VITE TSCE90ØM8X60 UNI 5933 ZB	SCREW TSPEI M8X60 UNI5933	SECHSSCHRAUBE MIT INNENSECHSKANT M8X60 UNI 5933	VIS STHC M8X60 UNI 5933	TORNILLO TSPEI M8X60
R1233		TUBO SCARICO CENT	EXHAUST PIPE	ABLASS-SCHLAUCH	TUYAU ÉVACUATION	TUBO DE DESCARGA
R1236		GIUNTO TRASC.POMPA CEN.262	CONNECTING PUMP	GELENK PUMPE	ACCOUPLMENT DE POMPE	ACOPLAMIENTO BOMBA
R1239		BLOCCHETTO DISTANZ.CEN.262	BLOCK	BLOCK	CORPS	BLOQUE
R1315		PERNO ATTACCO BRACCIO	ARM ATTACHMENT PIN	HALTEBOLZEN	AXE FIXATION BRAS	PERNO CONEXIÓN BRAZO
R1326		TAPPO SERBATOIO	TANK PLUG	TANKVERSCHLUß	BOUCHON DE RÉSERVOIR	TAPON DEPOSITO
R1330		TUBO 3/16 1/4FDGIR-1/4ORI(1)	HOSE 3/16	SCHLAUCH 3/16	TUYAU 3/16	TUBO 3/16
R1331		TUBO 3/16 1/4FDGIR-1/4ORI(2)	HOSE 3/16	SCHLAUCH 3/16	TUYAU 3/16	TUBO 3/16
R1332		TUBO 3/16 1/4FDGIR-1/4ORI(3)	HOSE 3/16	SCHLAUCH 3/16	TUYAU 3/16	TUBO 3/16
R1333		TUBO 3/16 1/4FDGIR-1/4ORI(4)	HOSE 3/16	SCHLAUCH 3/16	TUYAU 3/16	TUBO 3/16
R1342	*	FILTRO ASPIR.3/8" CENTRALINA	AIR FILTER	ANSAUGFILTER	FILTRE ASPIRATION	FILTRO DE ASPIRACION
R1344	*	ELETTROVALVOLA NC-EM	ELECTRO-VALVE	ELEKTROVENTIL	ELECTROVANNE	ELECTROVÁLVULA

R1346	*	MOTORE KW1,1 230-400/50T CENTRALINA	ELECTRIC MOTOR KW1,1 230-400/50T	ELEKTRO-MOTOR KW1,1 230-400/50T	MOTEUR ÉLECTRIQUE KW1,1 230-400/50T	MOTOR ELÉCTRICO KW1,1 230-400/50T
R1348		TRASCINAMENTO POMPA CENTRALINA	CONNECTING PUMP	GELENK PUMPE	ACCOUPLLEMENT DE POMPE	ACOPAMIENTO BOMBA
R1349		BLOCCHETTO ELETTRICO VALVOLA	ELECTROVALVE BLOCK	BLOCK ELEKTROVENTIL	BLOC ÉLECTROVANNES	BLOQUE DE ELECTROVÁLVULAS
R1350		SOLENOIDE 24VCA 50HZ 18W	SOLENOID	SOLENOID	SOLÉNOÏDE	SOLENOIDE
R1351		CONNETTORE TRASP.LED 24VDC	CONNECTOR FOR SOLENOID VALVE 24VDC	ANSCHLUSS FUER MAGNETVENTIL 24VDC	CONNECTEUR POUR ELECTROVANNE24VDC	CONECTOR+RECTIFICADOR 24VDC
R1363XX		BASE 263/07 DX	BASE	GRUNDLAGE	CHÂSSIS	BASE
R1364XX		BASE 263/07 SX	BASE	GRUNDLAGE	CHÂSSIS	BASE
R1365XX		LEVA INTERNA 263/07	LEVER	HEBEL	LEVIER	PALANCA
R1366XX		LEVA ESTERNA CIL.263/07	LEVER	HEBEL	LEVIER	PALANCA
R1367		PATTINO SUP.263/07	UPPER SLIDE PAD	OBERER GLEITER	PATIN SUPERIEUR	PATÍN SUPERIOR
R1368		SUPPOR.INF.LEVA CILIND.263/07	SUPPORT	HALTER	SUPPORT	SOPORTE
R1369		STAFFA ANTIRIBALTAM.263/07 ZG	ANCHORAGE	BÜGEL	CHAPE	BRIDA
R1370		PERNO ATTAC.CIL.263/07 ZG	PIN	STIFT	AXE	PERNO
R1371		PERNO SNODO LEVE 263/07 ZG	UPPER ARM HINGE PIN	STIFT	AXE ARTICULATION LEVIER	PERNO
R1372		CILINDRO IDR.263/07 9005	CYLINDER	ZYLINDER	VÉRIN	CILINDRO
R1510		CENTR.400/50T 263HS 2,5CC 7LT				
R1511XX		PEDANA SUP.263HS DX	UPPER PLATFORM	AUFNAHMEPLATTFORM	PLATE-FORME SUPERIEURE	PLATAFORMA SUPERIOR
R1512XX		PEDANA SUP.263HS SX	UPPER PLATFORM	AUFNAHMEPLATTFORM	PLATE-FORME SUPERIEURE	PLATAFORMA SUPERIOR
R1513XX		KIT RAMPA BASCULANTE 263HS	KIT BALANCE RAMP	AUFFAHR RAMPE	KIT RAMPE BASCULANTE	KT RAMPA BASCULANTE IZQ.
R1514XX		RAMPA BASCULANTE 263HS	RAMP	RAMP	RAMPE	RAMPA
R1515XX		PUNTONE X RAMPA 263HS	STRUT	STREBE	POUSSARD	POSTE
R1516		PERNO X RAMPA ZB	PIN	STIFT	AXE	PERNO
R1518		ELETTRICOVALVOLA NC-EM DOPPIA 263	ELECTRO-VALVE	ELEKTROVENTIL	ELECTROVANNE	ELECTROVÁLVULA
R1753		COLLETTORE KE2000 80-250BAR HS				
R1754		POMPA 2,5CC 263HS				
R1755		TUBO ASPIRAZIONE CENT.263HS				
R1756		VALVOLA STF14P 7L/MIN				
R1757		SERBAT.PVC 5L CENT.263HS				
R1758		KIT FISSAGGIO SERBAT.PVC 263HS				
W26436B	*	FUSIBILE 16A 10X38	FUSE 16A 10X38	SCHMELZSICHERUNG 16A 10X38	FUSIBLE 16A 10X38	FUSIBILE 16A 10X38
Z_RICAMBI		* = RICAMBI CONSIGLIATI	* = RECOMMENDED SPARE PARTS	* = EMPFOHLENE E-TEILE	* = PIECES DE RECHANGE CONSEILLEES	* = REPUESTOS ACONSEJAIOS