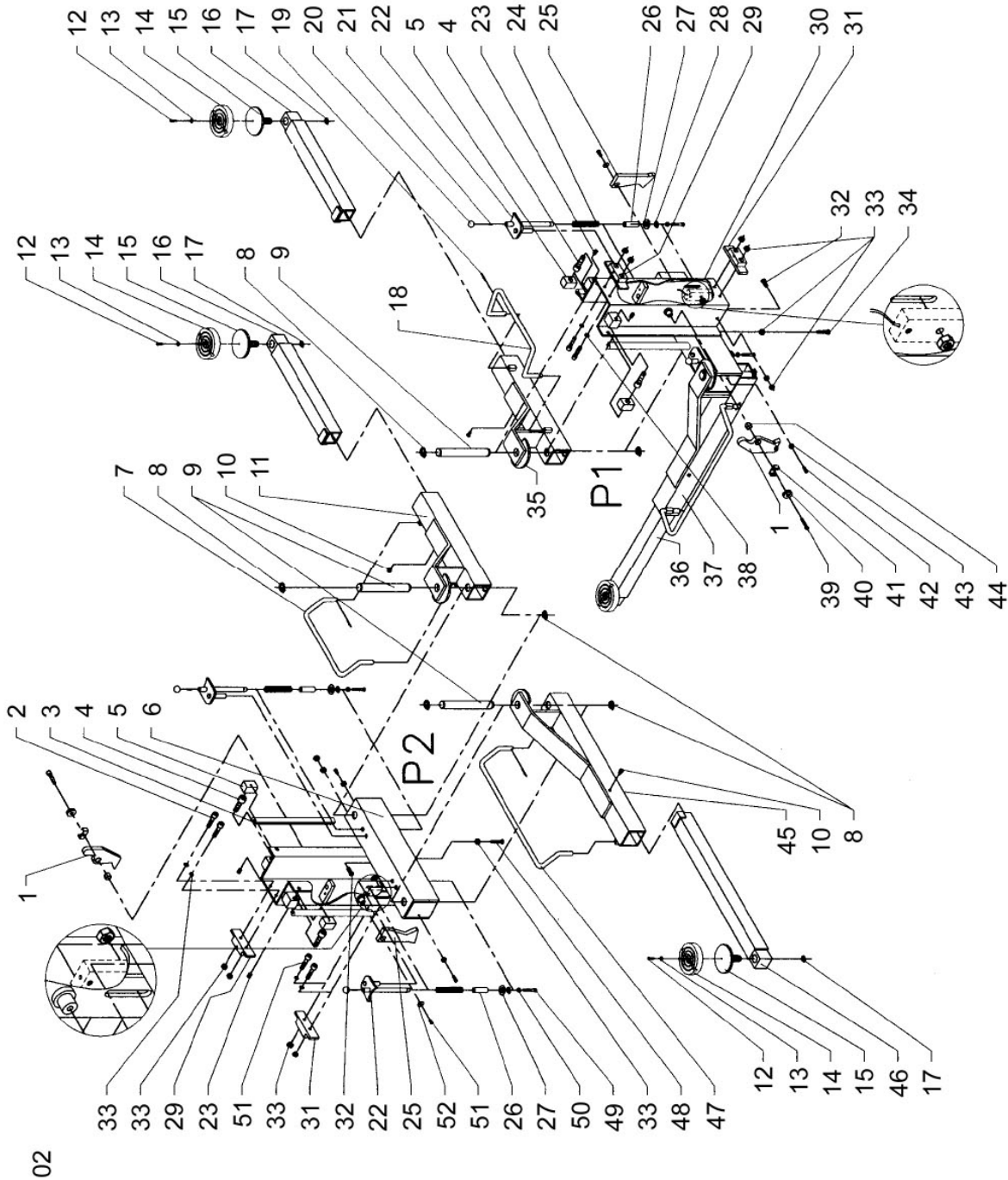
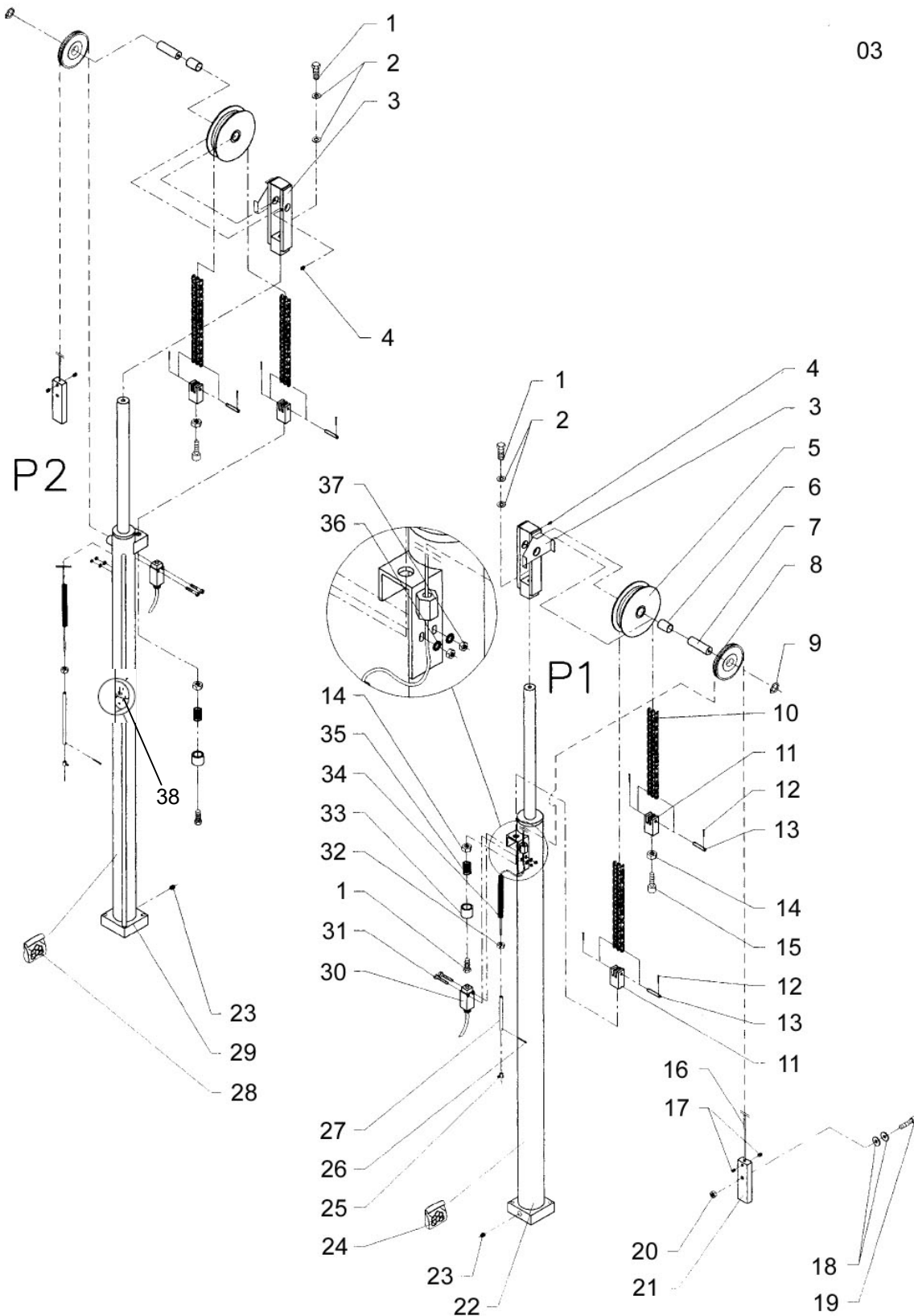


| POS | BESTEL NUMMER<br>ORDER NUMMER<br>BESTELLUNGSNUM | DESCRIPTION   | BESCHREIBUNG    | OMSCHRIJVING                  |
|-----|---|---------------|-----------------|-------------------------------|
| 1.  | OT3320100                                       | COLUMN P1     | SÄULE P1        | KOLOM P1                      |
| 2.  | FB4017M8X10                                     | SCREW         | SCHRAUBE        | SCHROEF M8X10                 |
| 3.  | FSD7991M10X50                                   | SCREW         | SCHRAUBE        | SCHROEF M10X50                |
| 4.  | FRD9021M8                                       | WASHER        | UNTERLAGSCHEIBE | RING M8XØ32                   |
| 5.  | OT3320071                                       | COVER         | ABDECKUNG       | AFDEKKAP                      |
| 6.  | FB4017M8X12                                     | SCREW         | SCHRAUBE        | SCHROEF M8X12                 |
| 7.  | OT3320070                                       | COVER         | ABDECKUNG       | AFDEKKAP tbv SENSOR           |
| 8.  | OT7000004                                       | LIMIT SWITCH  | ENDSCHALTER     | EINDSCHAKELAAR                |
| 9.  | OT2710435                                       | SCREW         | SCHRAUBE        | SCHROEF M4X35                 |
| 10. | OT3300073                                       | TOE SAFETY P1 | FUßSICHERUNG P1 | VOETBEVEILIGING P1            |
| 11. | FRD125M4  | WASHER        | UNTERLAGSCHEIBE | RING M4                       |
| 12. | FND934M4  | NUT           | MUTTER          | MOER M4                       |
| 13. | OT3320051                                       | COVER         | ABDECKUNG       | AFDEKKAP tbv VOET             |
| 14. | OT3300054                                       | TOE SAFETY P2 | FUßSICHERUNG P2 | VOETBEVEILIGING P2            |
| 15. | FSD7991M10X50                                   | SCREW         | SCHRAUBE        | SCHROEF M10X50                |
| 16. | FND934M10                                       | NUT           | MUTTER          | MOER M10                      |
| 17. | OT3320150                                       | COLUMN P2     | SÄULE P2        | KOLOM P2                      |
| 18. | FSD6912M8X16                                    | SCREW         | SCHRAUBE        | SCHROEF M8X16                 |
| 19. | OT3320054                                       | COVER         | ABDECKUNG       | AFDEKKAP tbv TOP KOLOM        |
| 20. | OT3320067                                       | COVER         | ABDECKUNG       | AFDEKKAP tbv VOORZIJDJE KOLOM |
| 21. | FS7380M8X40                                     | SCREW         | SCHRAUBE        | SCHROEF M8X40                 |
| 22. | OT1250003                                       | SPACER        | DISTANZRING     | AFSTANDBUS tbv MOTOR          |
| 23. | FND934M8  | NUT           | MUTTER          | MOER M8                       |
|     |   |               |                 |                               |
|     |   |               |                 |                               |



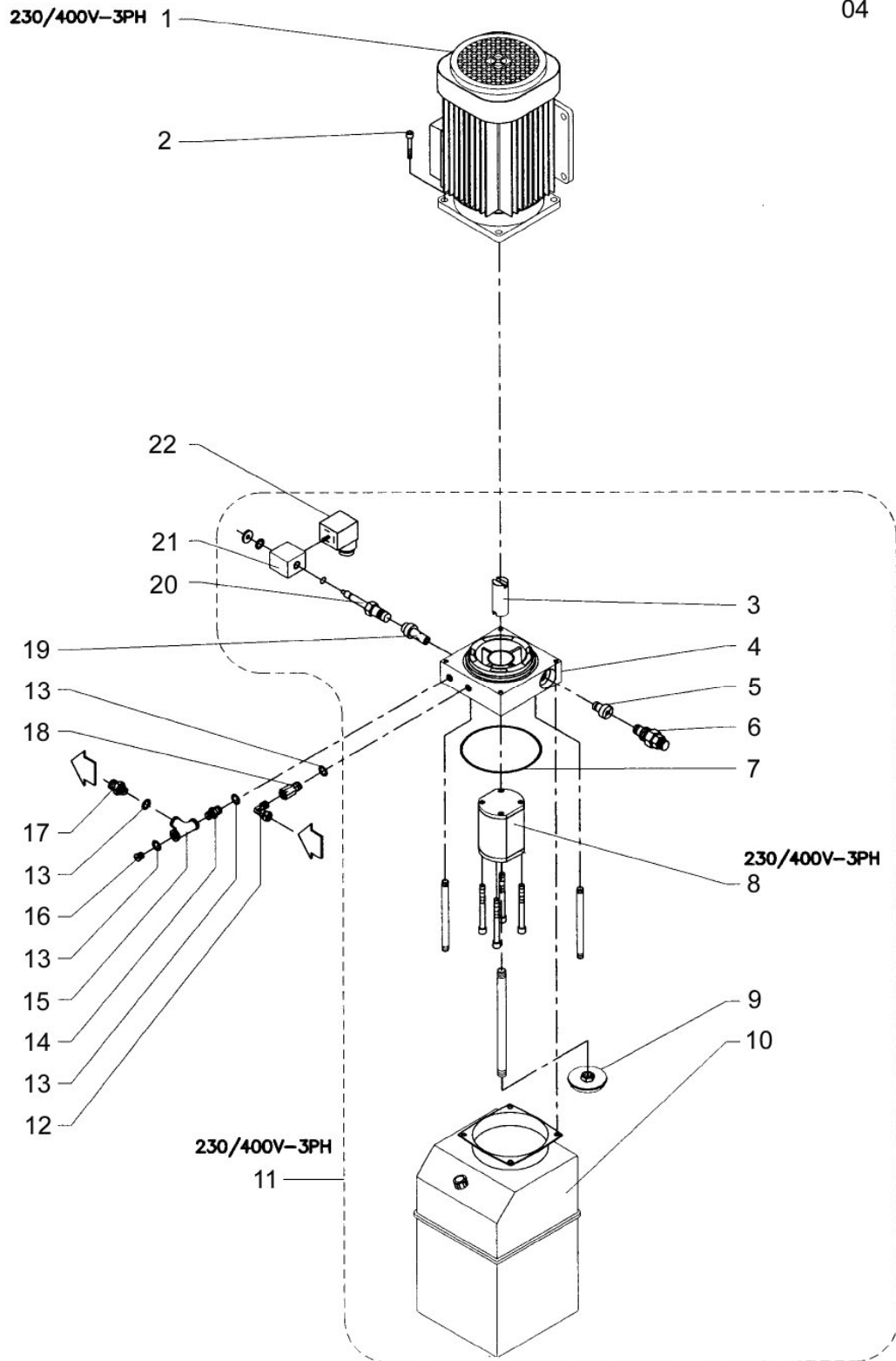
| POS     | BESTEL NUMMER<br>ORDER NUMMER<br>BESTELLUNGSNUM | DESCRIPTION     | BESCHREIBUNG      | OMSCHRIJVING                   |
|---------|---|-----------------|-------------------|--------------------------------|
| 1.      | OT3320900                                       | HOOK            | HAKEN             | HAAK                           |
| 2.      | FSD7991M10X40                                   | SCREW           | SCHRAUBE          | BOUW M10X40                    |
| 3.      | OT3300077                                       | PROTECTION      | SCHUTZ            | BESCHERMSTRIP                  |
| 4.      | FB4017M12X25                                    | SCREW           | SCHRAUBE          | BOUW M12X25                    |
| 5.      | OT3300050                                       | SLIDE BLOCK     | GLEITSCHUH        | GELEIDINGSBLOK VOORZIJDE       |
| 6.      | OT3320200                                       | CARRIAGE        | HUBSCHLITTEN      | DRAAGTAFEL                     |
| 7.      | OT1600041                                       | TOE PROTECTION  | FUßSCHUTZ         | VOETBEVEILIGING KORTE ARM      |
| 8.      | FRD471M30                                       | SEEGER RING     | SEEGERRING        | SEEGERRING Ø30                 |
| 9.      | OT3320053                                       | PIN             | BOLZEN            | PEN tbv DRAAGARM               |
| 10.     | FB4017M10X12                                    | SCREW           | SCHRAUBE          | BOUW M10X12                    |
| 11.     | OT3320400                                       | SHORT ARM P2    | KURZER ARM P2     | KORTE ARM P2                   |
| 12.     | FSD7991M6X20                                    | SCREW           | SCHRAUBE          | BOUW M6X20                     |
| 13.     | FRD9021M10                                      | WASHER          | UNTERLAGSCHEIBE   | RING M10X30                    |
| 14.     | OB913-D140X25                                   | RUBBER DISK     | GUMMIRING         | DRAAGRUBBER                    |
| 15.     | OT1330801                                       | HOLDER          | SUPPORT           | HOUDER tbv DRAAGRUBBER         |
| 16.     | OT3320500                                       | SHORT EXTENSION | KUR. VERLÄNGERUNG | ARM VERLENGING KORT            |
| 17.     | FRD471M25                                       | SEEGER RING     | SEEGERRING        | SEEGERRING Ø25                 |
| 18.     | OT1600041                                       | TOE PROTECTION  | FUßSCHUTZ         | VOETBEVEILIGING KORTE ARM      |
| 19.     | FSPD94-3X40                                     | SPLIT PIN       | SPLINT            | SPLITPEN D3X30                 |
| 20.     | TMKNOP32M                                       | HANDLE          | GRIFF             | BOL Ø32XM8                     |
| 21.     | FS4028M8X25                                     | SCREW           | SCHRAUBE          | BOUW M8X25                     |
| 22.     | OT3320600                                       | RACK            | ZAHNSTANGE        | VERGRENDELSTANG ARM            |
| 23.     | FB4017M12X16                                    | SCREW           | SCHRAUBE          | BOUW M12X16                    |
| 24.     | OT1250013                                       | SPRING          | FEDER             | VEER                           |
| 25.     | OT3320058                                       | HOOK            | HAKEN             | HAAK                           |
| 26.     | OT3300074                                       | SAFETY PIPE     | SICHERHEITSROHR   | BESCHERMBUIS                   |
| 27.     | FRD125M16                                       | WASHER          | UNTERLAGSCHEIBE   | RING M16                       |
| 28.     | FRD471M16                                       | SEEGER RING     | SEEGERRING        | SEEGERRING Ø16                 |
| 29.     | OT3300052                                       | SLIDE BLOCK     | GLEITSCHUH        | GELEID.BLOK ACHTER/BOVEN ZIJDE |
| 30. (6) | OT3320200                                       | CARRIAGE        | HUBSCHLITTEN      | DRAAGTAFEL                     |
| 31.     | OT3300051                                       | SLIDE BLOCK     | GLEITSCHUH        | GELEID.BLOK ACHTER/ONDER ZIJDE |
| 32.     | FB4017M10X35                                    | SCREW           | SCHRAUBE          | BOUW M10X35                    |
| 33.     | FND934M10                                       | NUT             | MUTTER            | MOER M10                       |
| 34.     | FB4017M10X60                                    | SCREW           | SCHRAUBE          | BOUW M10X60                    |
| 35.     | OT3320410                                       | SHORT ARM P1    | KURZER ARM P1     | KORTE ARM P1                   |
| 36.     | OT3320550                                       | LONG EXTENSION  | LON. VERLÄNGERUNG | ARM VERLENGING LANG            |
| 37.     | OT3320460                                       | LONG ARM P1     | LONGER ARM P1     | LANGE ARM P1                   |
| 38.     | FRD125M10                                       | WASHER          | UNTERLAGSCHEIBE   | RING M10                       |
| 39.     | FSD912M8X10                                     | SCREW           | SCHRAUBE          | BOUW M8X10                     |
| 40.     | OT1280032                                       | PULLEY          | SCHEIBE           | KABELPOELIE                    |
| 41.     | OT1280008                                       | COVER           | ABDECKUNG         | AFSCHERMING                    |
| 42.     | FSD912M8X25                                     | SCREW           | SCHRAUBE          | BOUW M8X25                     |
| 43.     | FND934M8  | NUT             | MUTTER            | MOER M8                        |
| 44.     | OB412-202315                                    | BUSH            | BÜCHSE            | BUS D20XD23X15                 |
| 45.     | OT3320450                                       | LONG ARM P2     | LONGER ARM P2     | LANGE ARM P2                   |
| 46.(36) | OT3320550                                       | LONG EXTENSION  | LON. VERLÄNGERUNG | ARM VERLENGING LANG            |
| 47.     | OT1600042                                       | TOE PROTECTION  | FUßSCHUTZ         | VOETBEVEILIGING LANGE ARM      |
| 48.     | FB4017M10x60                                    | SCREW           | SCHRAUBE          | BOUW M10X60                    |
| 49.     | FB4017M8x65                                     | SCREW           | SCHRAUBE          | BOUW M8X65                     |
| 50.(43) | FND934M8  | NUT             | MUTTER            | MOER M8                        |
| 51.     | FSD912M8X10                                     | SCREW           | SCHRAUBE          | BOUW M8X10                     |
| 52.     | FRD9021M8                                       | WASHER          | UNTERLAGSCHEIBE   | RING M8X32                     |
|         |   |                 |                   |                                |
|         |   |                 |                   |                                |

03



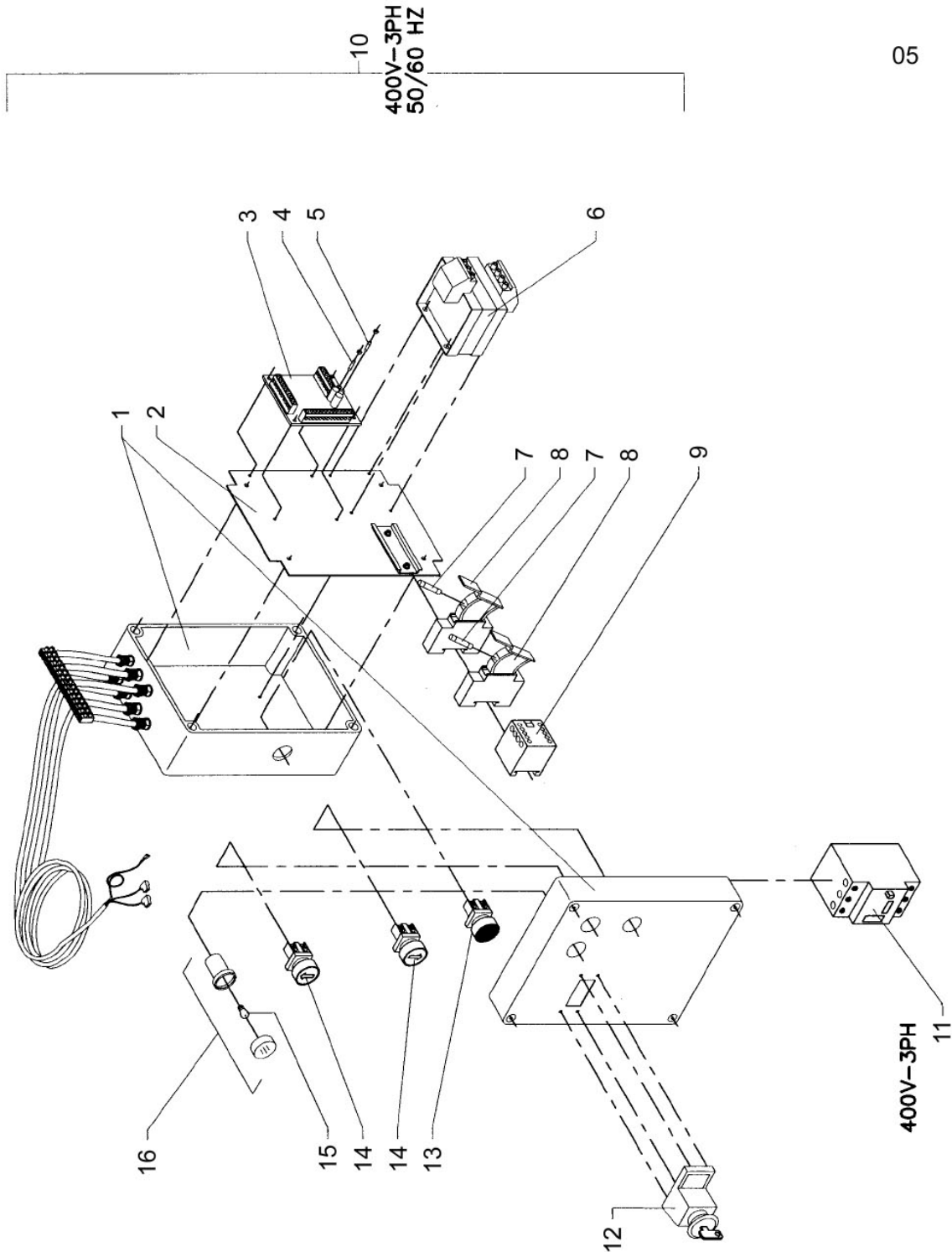


| POS | BESTEL NUMMER<br>ORDER NUMMER<br>BESTELLUNGSNUM | DESCRIPTION           | BESCHREIBUNG           | OMSCHRIJVING                               |
|-----|---|-----------------------|------------------------|--|
| 1.  | FSD912M16X60                                    | SCREW                 | SCHRAUBE               | BOUT M16X60                                |
| 2.  | FRD125M16                                       | WASHER                | UNTERLAGSCHEIBE        | RING M16                                   |
| 3.  | OT3320700                                       | PULLEY SUPPORT        | SCHEIBENSUPPORT        | STEUN tbv KETTINGPOELIE                    |
| 4.  | FSD912M6X10                                     | SCREW                 | SCHRAUBE               | BOUT M6X10                                 |
| 5.  | OT3320056                                       | PULLEY                | KETTENSCHIEBE          | KETTINGPOELIE                              |
| 6.  | OB412-303435                                    | BUSH                  | BÜCHSE                 | GLIJLAGER D30XD34X35                       |
| 7.  | OT3320061                                       | PIN                   | BOLZEN                 | PEN tbv KETTINGPOELIE                      |
| 8.  | OT3320064                                       | PULLEY                | FÜHRUNGSSCHIEBE        | KABELPOELIE                                |
| 9.  | FRD471M30                                       | SEEGER RING           | SEEGERRING             | SEEGERRING Ø30                             |
| 10. | OT3320063                                       | KEY                   | KETTE                  | KETTING L=1466.85                          |
| 11. | OT3320057                                       | COMB                  | KAMM                   | VERBINDINGSSTUK tbv KETTING                |
| 12. | FSPD94-2X10                                     | SPLIT PIN             | SPLINT                 | SPLITPEN D2X10                             |
| 13. | OT6602004                                       | SHAFT                 | BOLZEN                 | PEN tbv KETTING                            |
| 14. | FND934M16                                       | NUT                   | MUTTER                 | MOER M16                                   |
| 15. | FSD912M16X45                                    | SCREW                 | SCHRAUBE               | BOUT M16X45                                |
| 16. | OT3320065                                       | STEEL CABLE           | STAHLKABEL             | STAALKABEL Ø3 L=2050MM                     |
| 17. | FS4028M8X12                                     | SCREW                 | SCHRAUBE               | BOUT M8X8                                  |
| 18. | FRD125M10                                       | WASHER                | UNTERLAGSCHEIBE        | RING M10                                   |
| 19. | FB4017M10X40                                    | SCREW                 | SCHRAUBE               | BOUT M10X40                                |
| 20. | FND982M10                                       | NUT                   | MUTTER                 | MOER M10                                   |
| 21. | OT3320062                                       | PLATE                 | PLATTE                 | PLAAT                                      |
| 22. | OT3322000                                       | CILINDER P1           | ZYLINDER P1            | CILINDER P1 t/m 2016 s/n: CL               |
|     | OT3322000N                                      | CILINDER P1           | ZYLINDER P1            | CILINDER P1 vanaf 2016 s/n: 160            |
| 23. | OT9201004                                       | PARACHUTE VALVE       | SPERRVENTIL            | SLANGBREUKBEVEILIGING                      |
| 24. | OT3322000RP                                     | GASKET SET            | DICHTUNGSSATZ          | REP.SET CILINDER P1 t/m 2016 s/n:<br>CL    |
|     | OT3322000NRP                                    | GASKET SET            | DICHTUNGSSATZ          | REP.SET CILINDER P1 vanaf 2016 s/n:<br>160 |
| 25. | OT6705004                                       | CLAMP                 | KLEMME                 | KLEM tbv STAALKABEL                        |
| 26. | FSPD94-3X30                                     | SPLIT PIN             | SPLINT                 | SPLITPEN D3X30                             |
| 27. | OT3320073                                       | GUIDE PIPE            | FÜHRUNGSRÖHR           | GELEIDINGSBUIJS                            |
| 28. | OT3322100RP                                     | GASKET SET            | DICHTUNGSSATZ          | REP.SET CILINDER P2 t/m 2016 s/n:<br>CL    |
|     | OT3322100NRP                                    | GASKET SET            | DICHTUNGSSATZ          | REP.SET CILINDER P2 vanaf 2016 s/n:<br>160 |
| 29. | OT3322100                                       | CILINDER P2           | ZYLINDER P2            | CILINDER P2 t/m 2016 s/n: CL               |
|     | OT3322100N                                      | CILINDER P2           | ZYLINDER P2            | CILINDER P2 vanaf 2016 s/n: 160            |
| 30. | OT7000009                                       | LIMIT SWITCH          | ENDSCHALTER            | EINDSCHAKELAAR                             |
| 31. | FSD7985M4X45                                    | SCREW                 | SCHRAUBE               | SCHROEF M4X35                              |
| 32. | FND934M12                                       | NUT                   | MUTTER                 | MOER M12                                   |
| 33. | OT3320055                                       | BUSH                  | BÜCHSE                 | BUS  |
| 34. | OT1280027                                       | SPRING                | FEDER                  | VEER Ø17.5 X Ø13.5 X L170                  |
| 35. | OT1100065                                       | SPRING                | FEDER                  | VEER L=40 X C110                           |
| 36. | FSD125M4  | WASHER                | UNTERLAGSCHEIBE        | RING M4                                    |
| 37. | FND934M4  | NUT                   | MUTTER                 | MOER M4                                    |
| 38. | OT1211410                                       | SYNCHRONISATION VALVE | SYNCHRONISATION VENTIL | SYNCHRONISATIEVENTIEL                      |

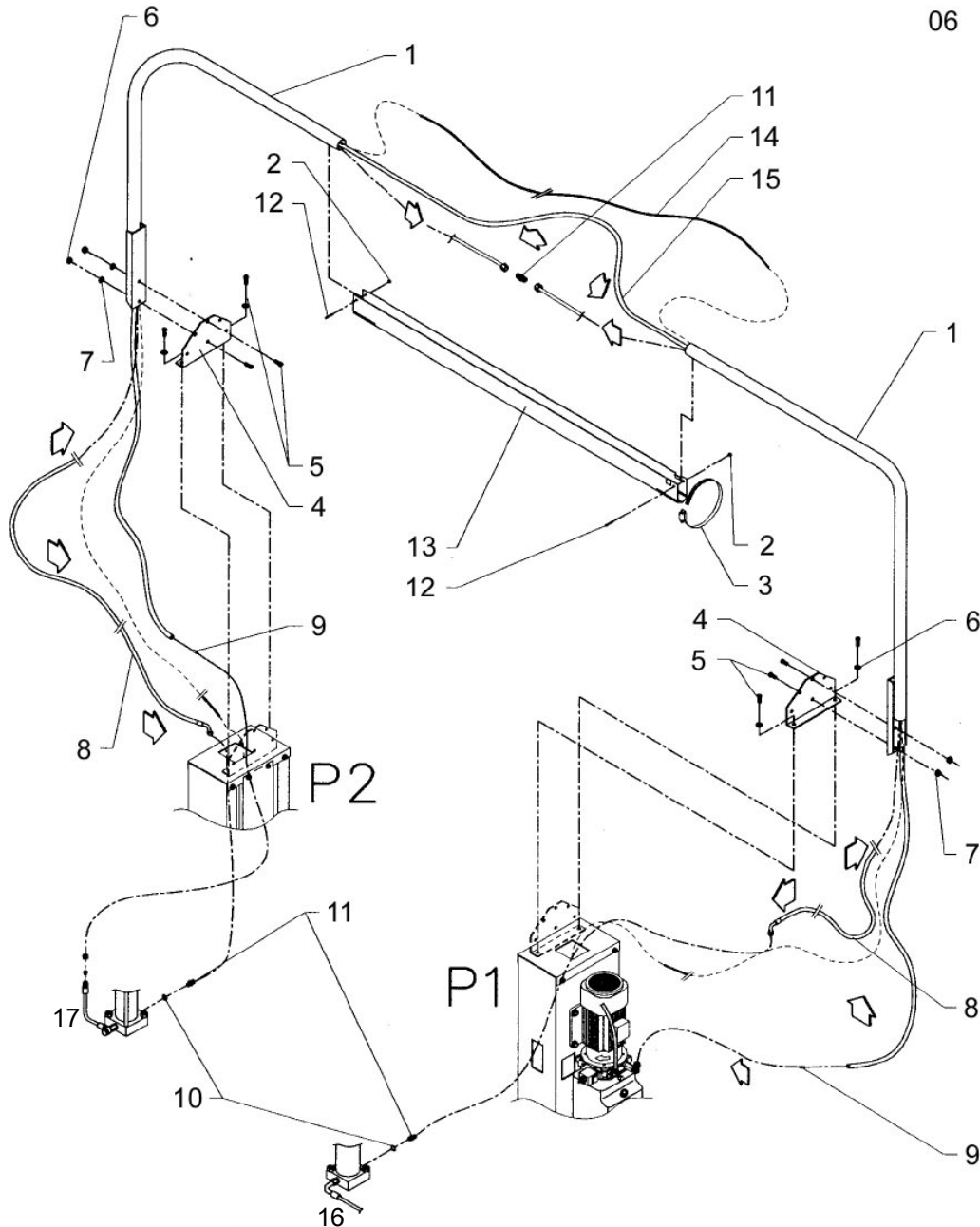


| POS | BESTEL NUMMER<br>ORDER NUMMER<br>BESTELLUNGSNUM | DESCRIPTION    | BESCHREIBUNG     | OMSCHRIJVING   |
|-----|---|----------------|------------------|--|
| 1.  | OT9501050                                       | MOTOR          | MOTOR            | MOTOR M90L 4P KW2.6 V230/400/50-60Hz t/m 2016 s/n: CL    |
|     | OT9501039                                       | MOTOR          | MOTOR            | MOTOR M90L 4P KW2.2 (HP3) V230/60HZ t/m 2016 s/n: CL     |
|     | OT9501050N                                      | MOTOR          | MOTOR            | MOTOR M90L 4P KW2.6 V230/400/50-60Hz vanaf 2016 s/n: 160 |
| 2.  | OT2050830                                       | SCREW          | SCHRAUBE         | BOUW M8X30   |
| 3.  | OT5305003                                       | COUPLING       | KOPPLUNG         | KOPPELING  |
| 4.  | OT9301012                                       | FLANGE         | FLANSCH          | VENTIELBLOK  |
| 5.  | OT9203005                                       | VALVE          | VENTIL           | VENTIEL  |
| 6.  | OT9200200                                       | VALVE          | VENTIL           | OVERDRUKVENTIEL 250 Bar                                  |
| 7.  | OT4302246                                       | GASKET         | DICHTUNG         | O-RING 246 (113.89x3.53)                                 |
| 8.  | OT9613003                                       | PUMP           | PUMPE            | POMP GR.1 / 4.4 (230/400V-3PH)                           |
|     | OT9613002                                       | PUMP           | PUMPE            | POMP GR.1 / 3.2 (230V-1PH)                               |
| 9.  | OS40-0027                                       | FILTER         | FILTER           | FILTER D80 G.3/8 90mc                                    |
| 10. | OT9705001                                       | TANK           | TANK             | OLIERESERVOIR 7 ltr. t/m 2016 s/n: CL                    |
|     | OT9705001N                                      | TANK           | TANK             | OLIERESERVOIR 7 ltr. vanaf 2016 s/n: 160                 |
| 11. | OT9433201                                       | HYDRAULIC UNIT | HYDRAULIKEINHEIT | HYDR.UNIT 230/400V-3PH                                   |
|     | OT9433202                                       | HYDRAULIC UNIT | HYDRAULIKEINHEIT | HYDR.UNIT 230V-1PH                                       |
|     | OT9433201N                                      | HYDRAULIC UNIT | HYDRAULIKEINHEIT | HYDR.UNIT 230/400V-3PH                                   |
| 12. | OB572-10-1/4                                    | UNION          | VERBINDUNG       |  |
| 13. | OB594-1/4                                       | WASHER         | UNTERLAGSCHEIBE  | BONDED SEAL 1/4  |
| 14. | OB511-1/4-1/4                                   | NIPPLE         | VERBINDUNG       | HYDR. ADAPTOR 1/4  |
| 15. | OS40-0085                                       | ADAPTER        | PASSTÜCK         | HYDR. ADAPTOR T 1/4                                      |
| 16. | OS40-0083                                       | PLUG           | STOPSEL          | STOP 1/4   |
| 17. | OB511-1/4-1/4                                   | NIPPLE         | VERBINDUNG       | HYDR. ADAPTOR L 1/4                                      |
| 18. | OB516-1/4-1/4                                   | EXTENSION      | VERLÄNGERUNG     | HYDR. ADAPTOR 1/4  |
| 19. | OT9207022                                       | VALVE          | VENTIL           | VENTIEL  |
| 20. | OT9810002                                       | VALVE          | VENTIL           | DAALVENTIEL  |
| 21. | OT9809004                                       | SOLENOID       | SPULE            | SPOEL 24V  |
| 22. | OB543-SDI24V                                    | CONNECTOR      | VERBINDUNG       | AANSLUITBLOK   |
|     |   |                |                  |  |
|     |   |                |                  |  |





| POS     | BESTEL NUMMER<br>ORDER NUMMER<br>BESTELLUNGSNUM | DESCRIPTION    | BESCHREIBUNG     | OMSCHRIJVING   |
|---------|---|----------------|------------------|--|
| 1.      | OT9827059                                       | CONNECTION BOX | ABZWEIGSCHACHTEL | BEDIENINGSKAST (leeg) t/m 2016 s/n: CL                         |
|         | WB2074  | CONNECTION BOX | ABZWEIGSCHACHTEL | BEDIENINGSKAST (leeg) vanaf 2016 s/n: 160                      |
| 2.      | OT1330062                                       | PLATE          | BLECH            | MONTAGEPLAAT t/m 2016 s/n: CL                                  |
|         | OT1330062N                                      | PLATE          | BLECH            | MONTAGEPLAAT vanaf 2016 s/n: 160                               |
| 3.      | OT9808104                                       | CONTROL BOARD  | STEUERKARTE      | PRINTPLAAT t/m 2016 s/n: CL                                    |
|         | OT9808104N                                      | CONTROL BOARD  | STEUERKARTE      | PRINTPLAAT vanaf 2016 s/n: 160                                 |
| 4.      | OB380-1A  | FUSE           | SICHERUNG        | ZEKERING 5x20 1A   |
| 5.      | OB380-6,3A                                      | FUSE           | SICHERUNG        | ZEKERING 5x20 6,3A   |
| 6.      | OT9806015                                       | TRANSFORMER    | TRAFO            | TRANSFORMER 70VA 380V  |
| 7.      | OB383-1A  | FUSE           | SICHERUNG        | ZEKERING 10x38 1A  |
| 8.      | OT9831002                                       | FUSE HOLDER    | SICHERUNGSHALTER | HOUDER tbv ZEKERING 10x38                                      |
| 9.      | OT9823011                                       | RELAY          | RELAIS           | MAGNEETSCHAKELAAR 4KW 8A 24V AC (400V-3PH) t/m 2016 s/n: CL    |
|         | OT9823019                                       | RELAY          | RELAIS           | MAGNEETSCHAKELAAR 5,5KW 14A 24V AC (230V-1PH) t/m 2016 s/n: CL |
|         | OS60-0097                                       | RELAY          | RELAIS           | MAGNEETSCHAKELAAR 4KW 8A 24V DC (400V-3PH) vanaf 2016 s/n: 160 |
| 10.     | OT3325000                                       | SWITCHBOARD    | SCHALTTAFEL      | BEDIENINGSKAST CMPL. (400V-3PH 50/60 HZ) t/m 2016 s/n: CL      |
|         | OT3325000N                                      | SWITCHBOARD    | SCHALTTAFEL      | BEDIENINGSKAST CMPL. (400V-3PH 50/60 HZ) vanaf 2016 s/n: 160   |
| 11.     | OT9821005                                       | OVERLOAD       | SCHÜTZ           | THERMISCH RELAIS 6,3-10A (400V-3PH) t/m 2016 s/n: CL           |
|         | OT9821006                                       | OVERLOAD       | SCHÜTZ           | THERMISCH RELAIS 10-16A (230V-1PH) t/m 2016 s/n: CL            |
|         | OT9821005N                                      | OVERLOAD       | SCHÜTZ           | THERMISCH RELAIS 6,3-10A (400V-3PH) vanaf 2016 s/n: 160        |
| 12.     | OT9801015                                       | EMERGENCY STOP | NOTSTOP          | NOODSTOP t/m 2016 s/n: CL                                      |
| 12.     | OT9801015N                                      | EMERGENCY STOP | NOTSTOP          | NOODSTOP vanaf 2016 s/n: 160                                   |
| 13.     | OA080-006                                       | PUSHBUTTON     | DRUCKKNOPF       | SCHAKELAAR (GEEL) t/m 2016 s/n: CL                             |
| 14.     | OA080-006                                       | PUSHBUTTON     | DRUCKKNOPF       | OP / NEER SCHAKELAAR t/m 2016 s/n: CL                          |
| 15./16. | OT9802007N                                      | LAMP CMPL.     | LAMPE KMPL.      | LAMP CMPL. LED Ø12 t/m 2016 s/n: CL                            |
| 15./16. | OT9802007N16                                    | LAMP CMPL.     | LAMPE KMPL.      | LAMP CMPL. LED Ø16 vanaf 2016 s/n: 160                         |



06

| POS | BESTEL NUMMER<br>ORDER NUMMER<br>BESTELLINGSNUM | DESCRIPTION | BESCHREIBUNG    | OMSCHRIJVING                |
|-----|---|-------------|-----------------|-----------------------------|
| 1.  | OT3320800                                       | PIPE        | ROHR            | DOORVOERPIJP                |
| 2.  | FND934M4  | NUT         | MUTTER          | MOER M4                     |
| 3.  | OT6301004                                       | HOSE CLAMP  | BAND            | SLANGKLEM H8 32-52          |
| 4.  | OT3320069                                       | BRACKET     | BÜGEL           | BEUGEL                      |
| 5.  | FSD912M10X16                                    | SCREW       | SCHRAUBE        | BOUT M10X16                 |
| 6.  | FRD125M10                                       | WASHER      | UNTERLAGSCHEIBE | RING M10                    |
| 7.  | FND934M10                                       | NUT         | MUTTER          | MOER M10                    |
| 8.  | OT8033204                                       | PIPE        | ROHR            | HYDR.SLANG L=5600 (2 nodig) |
| 9.  | OT1200042                                       | BUSH        | BÜCHSE          | VERLOOPNIPPEL D7            |
| 10. | OT3311111                                       | WASHER      | UNTERLAGSCHEIBE | BONDED SEAL 1/4             |
| 11. | OT6003414                                       | NIPPLE      | VERBINDUNG      | HYDR. KOPPELING 1/4         |
| 12. | FB4017M4X50                                     | SCREW       | SCHRAUBE        | BOUT M4X50                  |
| 13. | OT3320072                                       | DUCT        | KANAL           | U-PROFIEL                   |
| 14. | TILS4X6PVC L=9,5                                | PIPE        | ROHR            | PNEUM.SLANG 4/6 L=9500      |
| 15. | OT8107709                                       | PIPE        | ROHR            | PNEUM.SLANG 10/7 L=9500     |
| 16. | OT8033201                                       | PIPE        | ROHR            | HYDR.SLANG L=2700 P1-pomp   |
| 17. | OT8033202                                       | PIPE        | ROHR            | HYDR.SLANG L=350 P2-retour  |