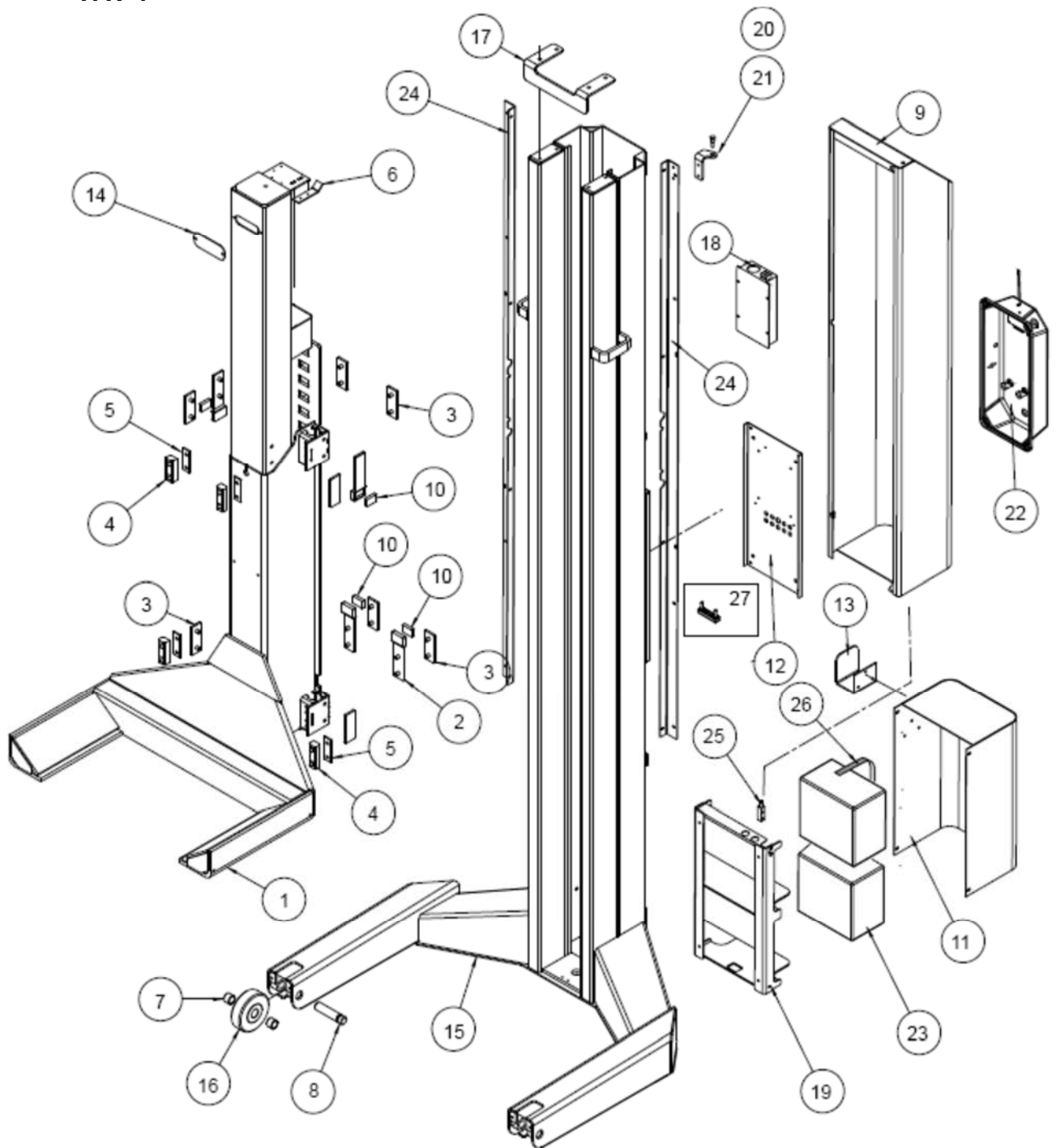


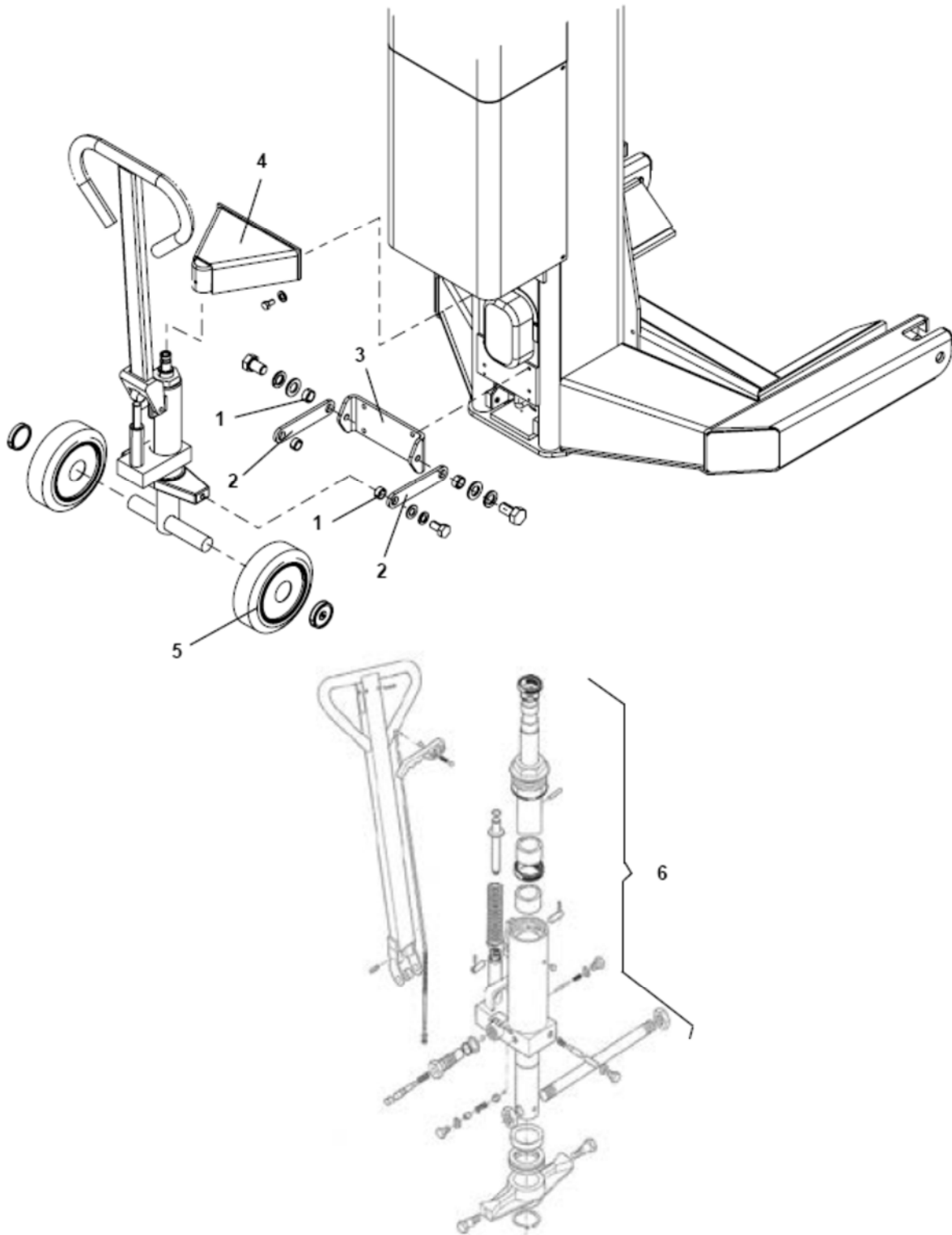
TAV 1



TAV 1

| NR | ARTIKELCODE  | OMSCHRIJVING             | DESCRIPTION      |
|----|--------------|--------------------------|------------------|
| 1  | RA052714013  | DRAAGTAFEL               | INS. CARRELLO    |
| 2  | RA047019360  | GLIJBLOK                 | SLIDING BLOCK    |
| 3  | RA047019080  | GLIJBLOK                 | SLIDING BLOCK    |
| 4  | RA048419010  | GLIJBLOK                 | SLIDING BLOCK    |
| 5  | RA044519130  | VULPLAAT                 | SPACER           |
| 6  | RA052720010  | AANSLAGNOK               | CAM              |
| 7  | OB412-252820 | GLIJLAGER, 25 X 28 X 20  | BUSH             |
| 8  | RA052319170  | PEN                      | PIN              |
| 9  | RA052713620  | AFDEKKAP POMPUNIT        | GUARD ASS.BLY    |
| 10 | RA047019370  | GLIJBLOK                 | FELT             |
| 11 | RA052713690  | AFDEKKAP ACCUPACK        | GUARD ASS.BLY    |
| 12 | RA052715330  | MONTAGEPLAAT PRINTPLAAT  | PLATE            |
| 13 | RA052611190  | KABELHOUDER              | CABLE SUPPORT    |
| 14 | RA052713101  | BESCHERMPLAAT            | GUARD ASS.BLY    |
| 15 | RA052710190  | KOLOM                    | COLUMN ASS.BLY   |
| 16 | RA052319160  | WIEL                     | WHEEL            |
| 17 | RA052712010  | KOLOMHOUDER              | RETAINING COLUMN |
| 18 | RA540017     | ACCULADER 24V 12A        | BATTERY CHARGER  |
| 19 | RA052615540  | ACCUHOUDER               | SUPPORT          |
| 20 | RA052613770  | PEN                      | PIN              |
| 21 | RA052613710  | SCHARNIER                | HINGE            |
| 22 | TAV. 5       | BEDIENINGSKAST           | CONTROL PANEL    |
| 23 | RA540015     | ACCU 12V 50Ah            | BATTERY          |
| 24 | RA052613680  | STRIP                    | ROD              |
| 25 | RA052613780  | SCHARNIER                | HINGE            |
| 26 | RA413885     | SPANBAND                 | STRAP            |
| 27 | RA515043     | ZEKERINGHOUDER           | SUPPORT          |
|    | RA507132     | ZEKERING 125A 80VDC FRTB | FUSE             |

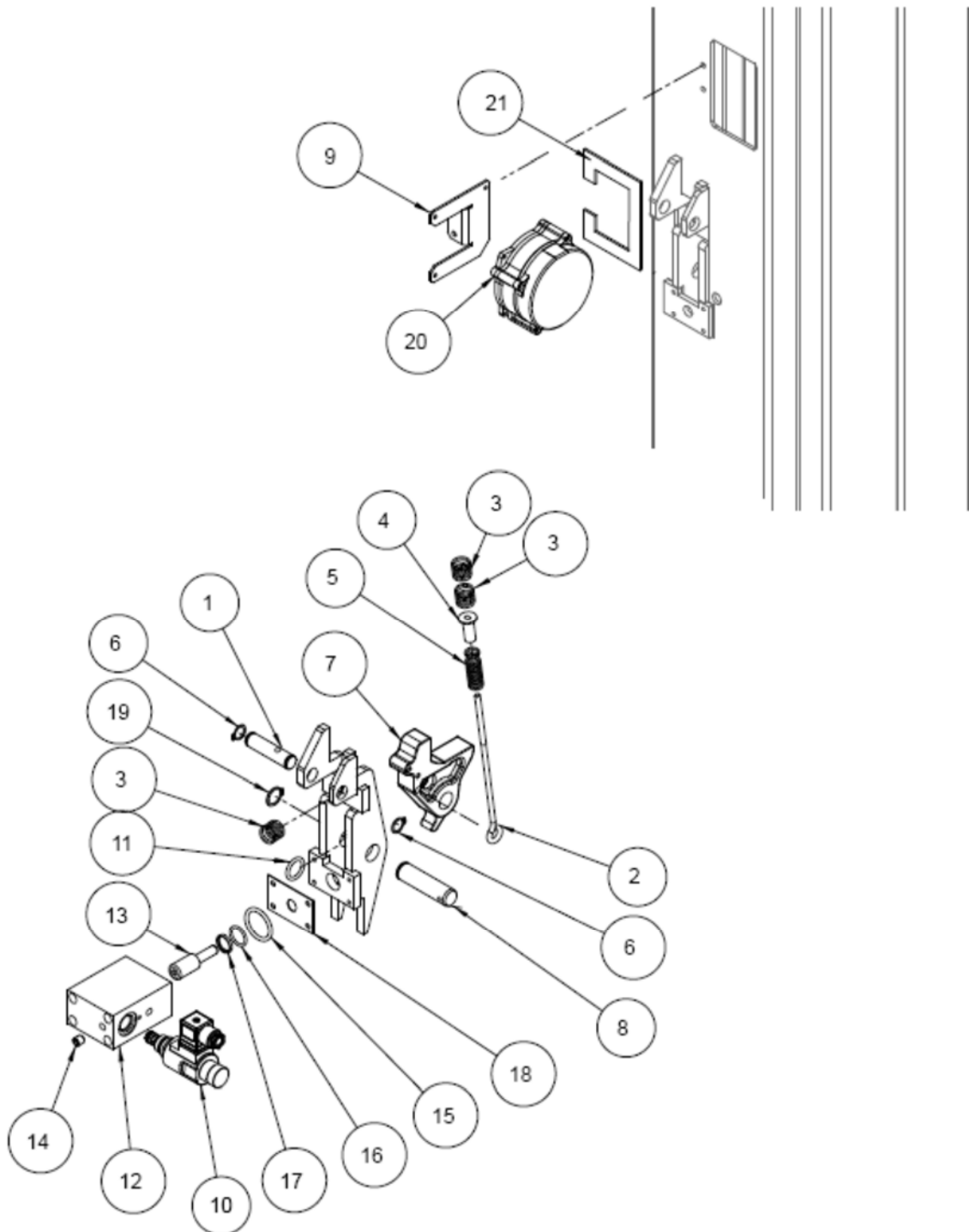
TAV 2



TAV 2

| NR | ARTKELCODE  | OMSCHRIJVING       | DESCRIPTION        |
|----|-------------|--------------------|--------------------|
| 1  | RA052321050 | BUS                | BUSH               |
| 2  | RA052615590 | KOPPELSTANG        | LINK ROD           |
| 3  | RA052613070 | MONTAGEPLAAT ONDER | BRACKET            |
| 4  | RA052615470 | MONTAGEPLAAT BOVEN | CONNECTION ASS.BLY |
| 5  | RA705017    | WIEL 200X50        | WHEEL              |
| 6  | RA052006132 | HEFPOMP COMPLEET   | LIFT PUMP          |

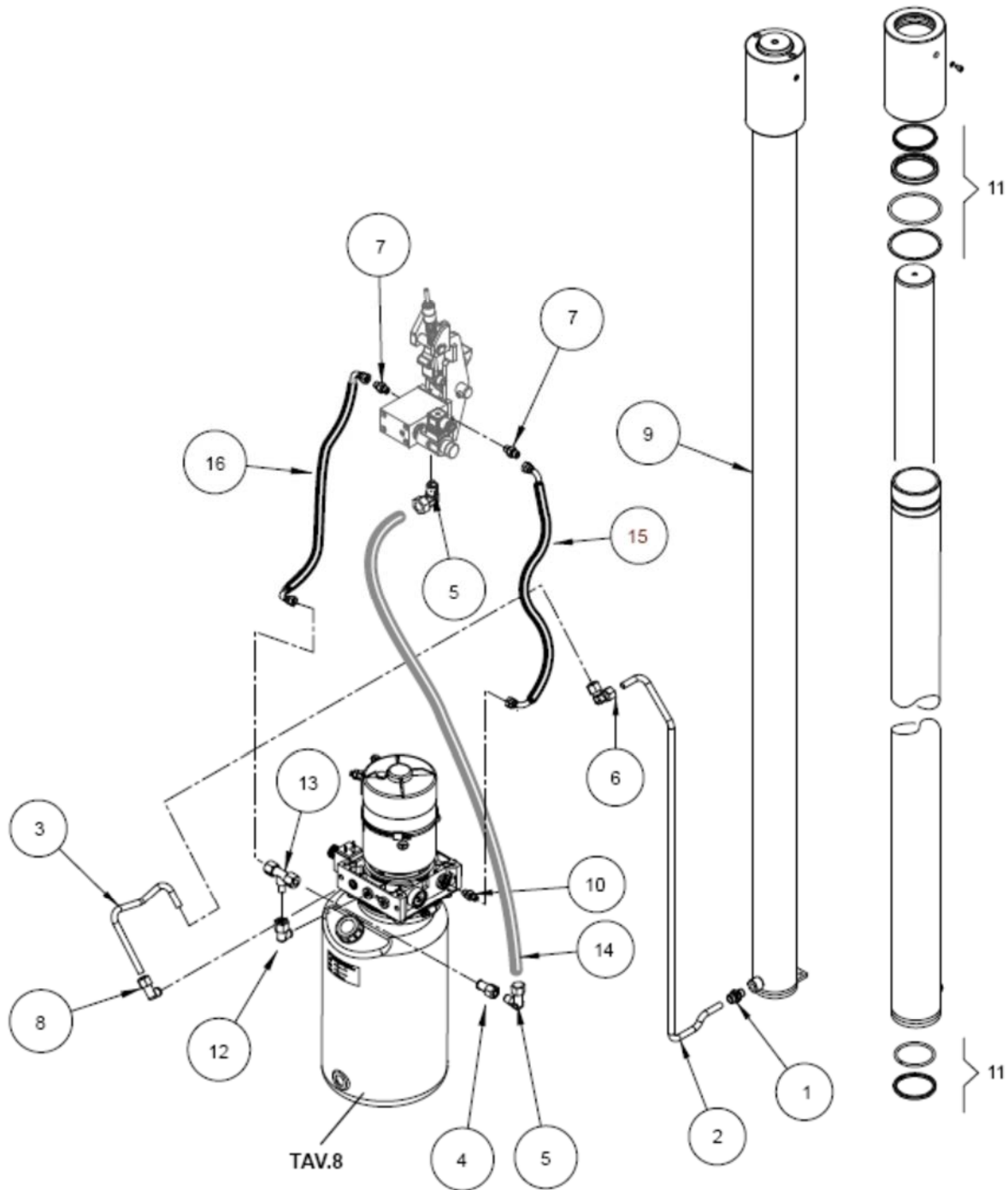
TAV 3



TAV 3

| NR | ARTIKELCODE | OMSCHRIJVING                 | DESCRIPTION      |
|----|-------------|------------------------------|------------------|
| 1  | RA052711250 | PEN                          | PIN              |
| 2  | RA052711240 | STANG                        | TIE ROD          |
| 3  | RA413178    | VEER 20X8,5X16               | SPRING           |
| 4  | RA052711260 | AFSTANDSRING                 | SPACER           |
| 5  | RA950001480 | VEER                         | SPRING           |
| 6  | FRD471M16   | SEEGERRING, 16 UNI-7435      | SEEGER RING      |
| 7  | RA048413103 | HAAK                         | BREAKER ARM      |
| 8  | RA052711230 | PEN                          | PIN              |
| 9  | RA052613800 | ENCODER HOUDER               | ENCODER SUPPORT  |
| 10 | RA322091    | VENTIEL                      | VALVE            |
| 11 | RA401055    | O-RING 4081 ,DI 20.22 X 3.53 | O-RING           |
| 12 | RA052760011 | CILINDERBLOK                 | CYLINDER         |
| 13 | RA052660115 | ZUIGER                       | PISTON           |
| 14 | RA311106    | PLUG 1/8 TN192 1/8R          | PLUG             |
| 15 | RA401252    | O-RING DI.33 X 4             | O-RING           |
| 16 | RA401044    | O-RING 3081 ,DI 20.24X 2.62  | O-RING           |
| 17 | RA408802    | DICHTRING XB 18-26.3-3.2     | GASKET           |
| 18 | RA052760051 | MONTAGEPLAAT                 | PLATE            |
| 19 | FRD471M20   | SEEGERRING 20 UNI-7435       | SEEGER RING      |
| 20 | RA19921     | ENCODER                      | ENCODER          |
| 21 | RA412077    | PAKKING                      | "MOUSSE" STICKER |

TAV 4



**TAV 4**

| NR | ARTIKELCODE   | OMSCHRIJVING                | DESCRIPTION      |
|----|---------------|-----------------------------|------------------|
| 1  | RA304036C     | KOPPELING.1/4"x10           | FITTING          |
| 2  | RA052760060   | HYDR.LEIDING                | HOSE             |
| 3  | RA052760070   | HYDR.LEIDING                | HOSE             |
| 4  | RA399001      | KOPPELING                   | BUSH             |
| 5  | RA305002      | KNIEKOPPELING               | FITTING          |
| 6  | RA305038C     | KNIEKOPPELING 1/4x10 TN94   | FITTING          |
| 7  | OB511-1/8-1/8 | KOPPELING MM 1/8X1/8        | FITTING          |
| 8  | RA305024C     | KOPPELING 1/4x10 TN94       | FITTING          |
| 9  | RA052761010   | CILINDER Ø60                | CYLINDER         |
| 10 | RA304012      | KOPPELING 1/4               | STRAIGHT FITTING |
| 11 | RA052761010RP | REPARATIE KIT               | GASKET UNIT      |
| 12 | RA305024      | KNIEKOPPELING 1/4X10 PM TN9 | FITTING          |
| 13 | RA306032      | T-KOPPELING                 | FITTING          |
| 14 | RA317001      | RETOURLEIDING               | HOSE             |
| 15 | RA052760280   | HYDR.SLANG                  | HOSE             |
| 16 | RA052760290   | HYDR.SLANG                  | HOSE             |

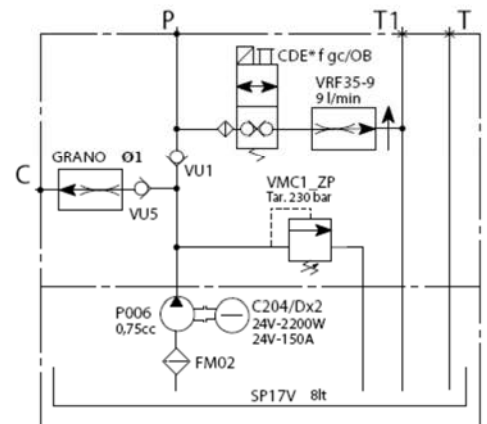
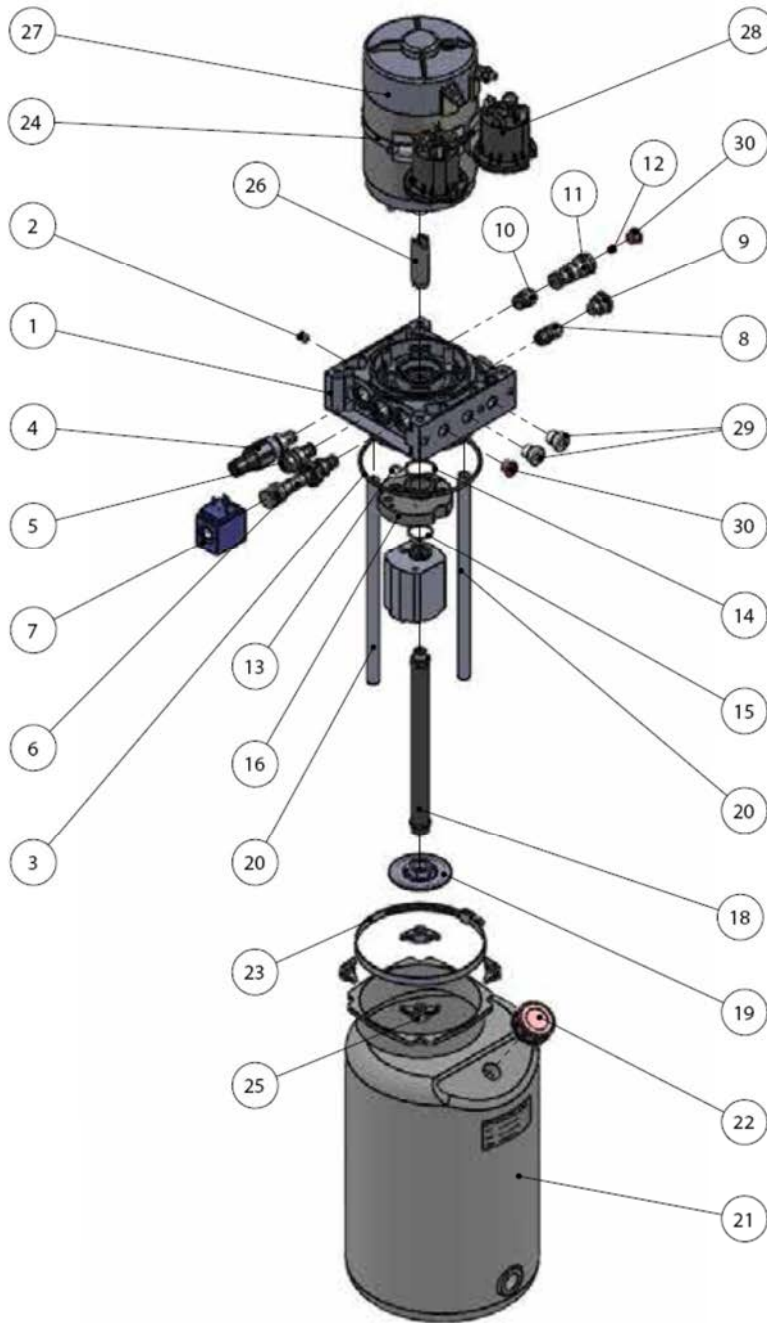




TAV 5

| NR | ARTIKELCODE | OMSCHRIJVING             | DESCRIPTION           |
|----|-------------|--------------------------|-----------------------|
| 1  | RA206128    | SCHROEF M6x30            | SCREW                 |
|    | RA052615510 | BUS                      | BUSH                  |
| 2  | RA19690     | DISPLAY                  | DISPLAY               |
| 3  | RA10690     | KEYBOARD                 | KEYBOARD              |
| 4  | RA999919390 | WAARSCHUWINGSSTICKER     | LABEL                 |
| 5  | RA052715330 | MONTAGEPLAAT             | PLATE                 |
| 6  | RA569046    | ZOEMER                   | BUZZER                |
| 7  | RA517056AS1 | DRUKKNOP ENKELE KOLOM    | PUSH BUTTON ASS.BLY   |
| 8  | RA517165AS  | DRUKKNOP HEFFEN DALEN    | PUSH BUTTON ASS.BLY   |
| 9  | RA517171AS  | NOODSTOPKNOP             | EMERG. BUTTON ASS.BLY |
| 10 |             |                          |                       |
| 11 |             |                          |                       |
| 12 | RA052613700 | STICKER "P"              | LABEL                 |
| 13 | RA517169AS1 | DRUKKNOP PARKEERSTAND    | PUSH BUTTON ASS.BLY   |
| 14 | RA052765220 | VOEDINGSKABEL            | CABLE                 |
| 15 | RA052765210 | KABEL K2                 | CABLE ASS.BLY         |
| 16 | RA052765200 | KABEL K1                 | CABLE ASS.BLY         |
| 17 | RA052765180 | KABEL EV1                | CABLE ASS.BLY         |
| 18 | RA518282    | HOOFDSCHAKELAAR 12A 2P   | SWITCH                |
|    | RA518283    | STICKER 48X48            | STICKER               |
| 19 | RA052765190 | KABEL EV2                | CABLE ASS.BLY         |
| 20 |             |                          |                       |
| 21 | RA412077    | ZACHTE STICKER           | "MOUSSE" STICKER      |
| 22 | RA19500A    | HOOFD PRINTPLAAT         | ELECTRONIC CARD       |
| 23 | RA052665251 | DEKSEL                   | COVER                 |
| 24 | RA220052    | SCHROEF                  | SCREW                 |
| 25 | RA569012    | BUS                      | SPACER                |
| 26 | RA19663     | ANTENNE                  | AERIAL                |
| 27 | RA251107    | SCHROEFDRAAD 9203A/M6/8Z | THREADED INSERT       |
| 28 | RA052765350 | KABEL ENCODER            | ENCODER               |
| 29 | RA052765240 | KABEL FC1                | CABLE ASS.BLY         |
|    | RA052765250 | KABEL FC1                | CABLE ASS.BLY         |
| 30 | RA599090    | STICKER                  | SUPPORT STICKER       |
| 31 | RA052765230 | KABEL K1/K2              | CABLE ASS.BLY         |
| 32 | RA599428    | WARTEL M12X1,5           | CABLE GRIPPER         |
|    | RA599431    | MOER M12X1,5             | RING NUT              |
| 33 | RA052665380 | KABEL BATTERIJLADER      | CABLE                 |
| 34 | RA599431    | WARTEL M12X1,5           | RING NUT              |
|    | RA599434    | PLUG M12X1,5             | PLUG                  |
| 35 | RA515044    | ZEKERINGHOUDER           | SUPPORT FUSE          |
|    | OB380-10A   | ZEKERING 5X20T 10A 250V  | FUSE                  |
| 36 | OB331-009   | WARTEL PG9               | CABLE GRIPPER         |
|    | OB332-009   | MOER PG9                 | RING NUT              |

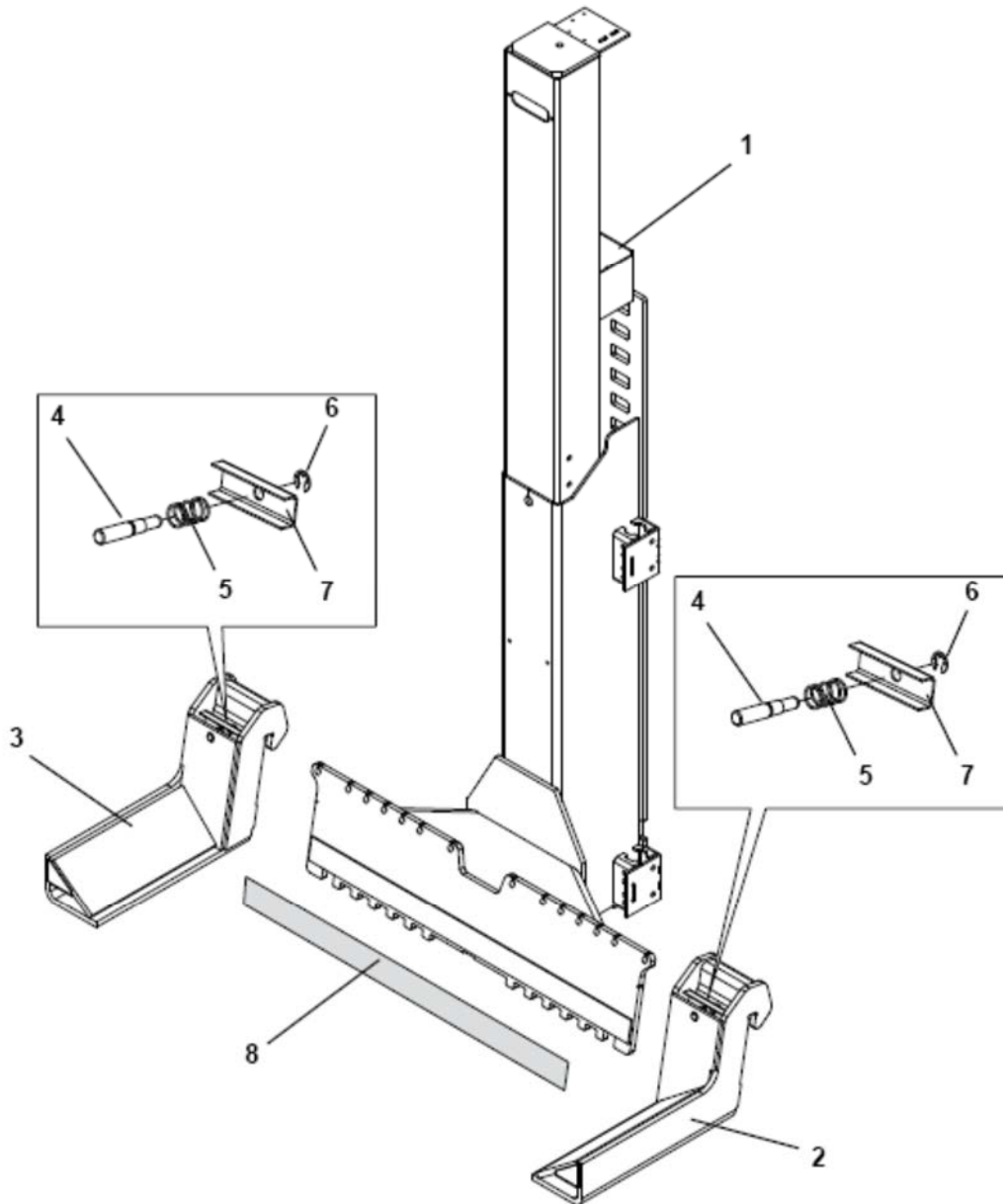
TAV 6



TAV 6

| NR | ARTIKELCODE     | OMSCHRIJVING                            | DESCRIPTION             |
|----|-----------------|---|-------------------------|
| 1  | RA052670400     | HYDR.BLOK KEL10                         | MANIFOLD                |
| 2  | RA052670110     | PLUG                                    | PLUG                    |
| 3  | RA052670120     | O-RING NBR 70SH.112.00X3.0              | R-RING                  |
| 4  | RA052670620     | VENTIEL                                 | VALVE                   |
| 5  | RA052670340     | VENTIEL                                 | VALVE                   |
| 6  | RA052670410     | DAALVENTIEL<br>EL.VE2-NC-DT-EM Ø12,7 DC | VALVE                   |
| 7  | RA052670430     | SPOEL 24VRAC N-H13                      | SOLENOID VALVE          |
| 8  | RA052670420     | VENTIEL                                 | VALVE                   |
| 9  | RA052670180     | PLUG ¼ M10                              | PLUG                    |
| 10 | RA052670380     | VENTIEL VU5                             | VALVE                   |
| 11 | RA052670190     | PLUG 1/4" M6                            | PLUG                    |
| 12 | RA052670200     | SCHROEF                                 | SCREW                   |
| 13 | RA401031        | O-RING 2037                             | O-RING                  |
| 14 | RA401105        | O-RING 3106                             | O-RING                  |
| 15 | RA401136        | O-RING 2087                             | O-RING                  |
| 16 | RA052670630     | FLENS                                   | FLANGE                  |
| 17 | RA052670640     | POMP                                    | PUMP                    |
| 18 | RA052670650     | AANZUIGBUIS                             | TUBO                    |
| 19 | RA052670590     | FILTER G3/8F                            | FILTER                  |
| 20 | RA049470090     | PIJP M12X1                              | TUBO                    |
| 21 | RA052670660     | TANK                                    | TANK                    |
| 22 | RA052670390     | PLUG                                    | PLUG                    |
| 23 | RA052670270     | BEVESTIGINGSKLEM                        | BRACKET                 |
| 24 | RA052670270     | BEVESTIGINGSKLEM                        | BRACKET                 |
| 25 | RA052670470     | MOER                                    | NUT                     |
| 26 | RA052670670     | KOPPELING                               | JOINT                   |
| 27 | RA052670490     | MOTOR                                   | MOTOR                   |
| 28 | RA052670500     | RELAIS                                  | RELAY                   |
| 29 | RA052670290     | PLUG                                    | PLUG                    |
| 30 | RA052670330     | PLUG                                    | PLUG                    |
|    |                 |   |                         |
|    | <b>RA324438</b> | <b>COMPLETE HYDR.GROEP</b>              | <b>HYDR. POWER PACK</b> |
|    |                 |   |                         |

TAV 7



| NR | ARTIKELCODE | OMSCHRIJVING          | DESCRIPTION         |
|----|-------------|-----------------------|---------------------|
| 1  | RA052714022 | VORKENDRAGER COMPLEET | CARRIAGE UNIT       |
| 2  | RA052625120 | LINKER VORK           | LEFT FORK           |
| 3  | RA052625110 | RECHTER VORK          | RIGHT FORK          |
| 4  | RA052625210 | PEN                   | PIN                 |
| 5  | RA052625280 | SCHROEF               | SCREW               |
| 6  | RA299024    | E-CLIP                | WASTE PLATE         |
| 7  | RA052625270 | HENDEL                | "C" METAL SHEET     |
| 8  | RA999915760 | STICKER VORKPOSITIE   | FORK POSITION LABEL |